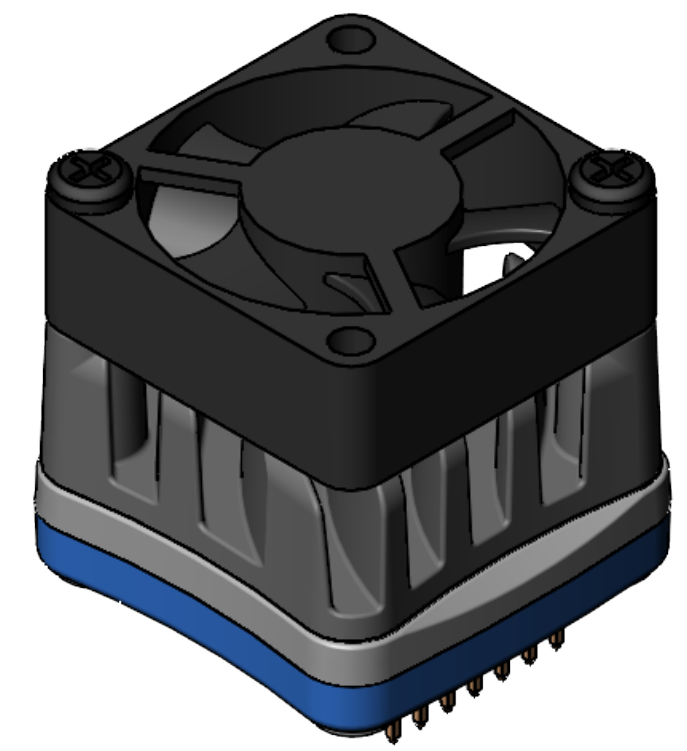
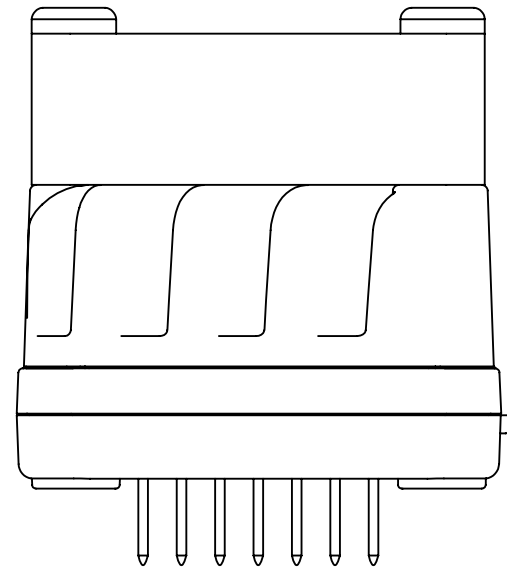
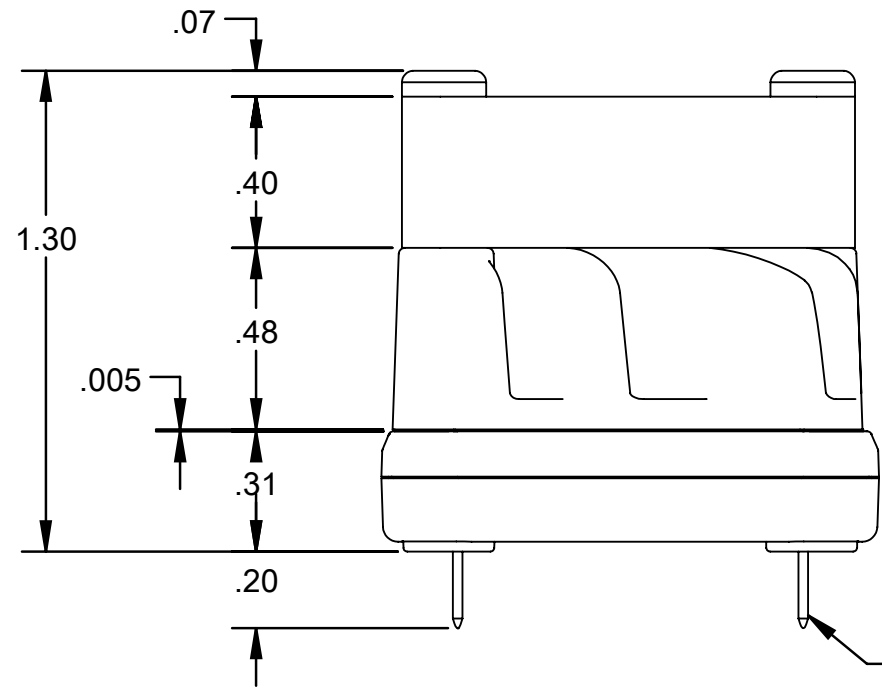
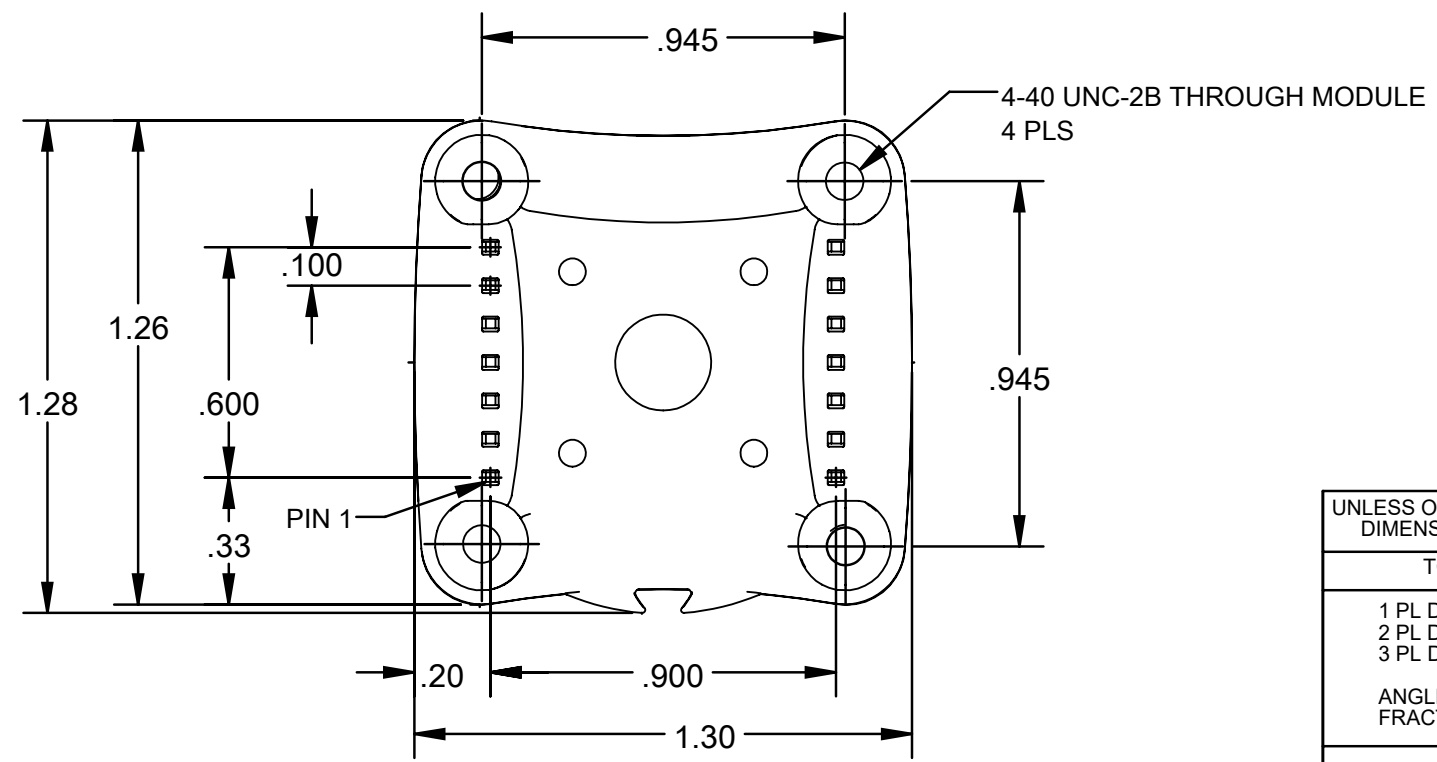


REVISIONS			
REV.	DESCRIPTION	DATE	APPROVED
A	RELEASE TO PRR	7-2-21	GSN



RECOMMENDED HOLE DIAMETER AFTER PLATING $\phi .038"$



UNLESS OTHERWISE SPECIFIED DIMENSIONS ARE IN INCHES

TOLERANCES	
1 PL DECIMALS	$\pm .1$
2 PL DECIMALS	$\pm .01$
3 PL DECIMALS	$\pm .005$
ANGLES $\pm 1^\circ$	
FRACTIONS $\pm 1/64$ TH	
THIRD ANGLE PROJECTION	

THIS DRAWING AND INFORMATION CONTAINED THEREIN ARE THE PROPERTY OF WAVELENGTH ELECTRONICS, INC. (WEI). BY ACCEPTING THIS INFORMATION, THE BORROWER AGREES THAT IT WILL NOT BE USED FOR ANY PURPOSE OTHER THAN FOR WHICH IT WAS LOANED. IF THE BORROWER OF THIS DOCUMENT HAS NOT SIGNED A CONFIDENTIALITY AGREEMENT WITH WEI, THEN HE/SHE MUST REPORT THIS FACT TO WEI.

APPROVALS		DATE		Phone: (406) 587-4183 Fax: (406)-587-4911 51 Evergreen Dr. Suite B Bozeman, MT. 59715
SIGNATURES				
ORIGINATOR	G. NIEBEL	7-2-21	TITLE:	WxxND MODULE w/HEATSINK_FAN
ENGINEERING			SIZE	
CHECKED			B	MOD
APPROVED			SCALE: 1:1	A
APPROVED				SHEET 1 OF 1

