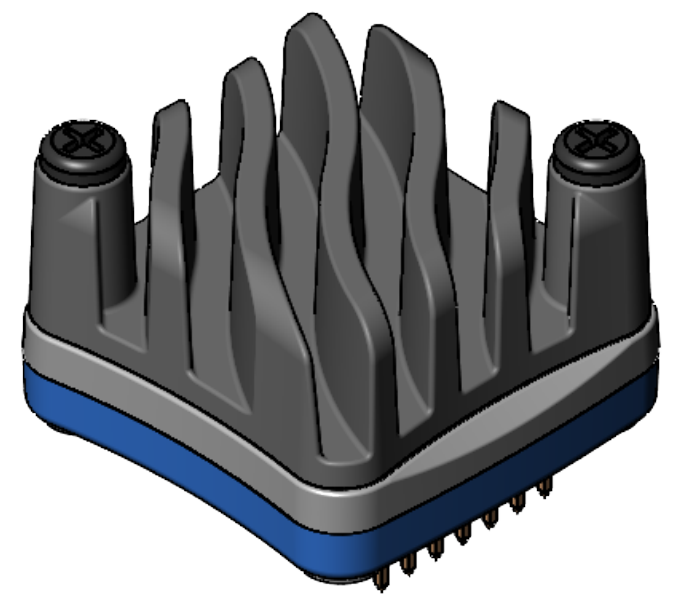
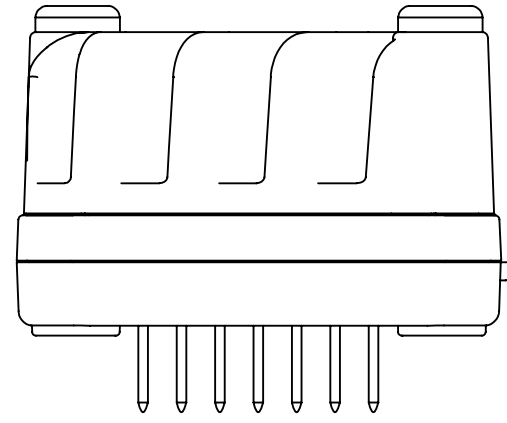
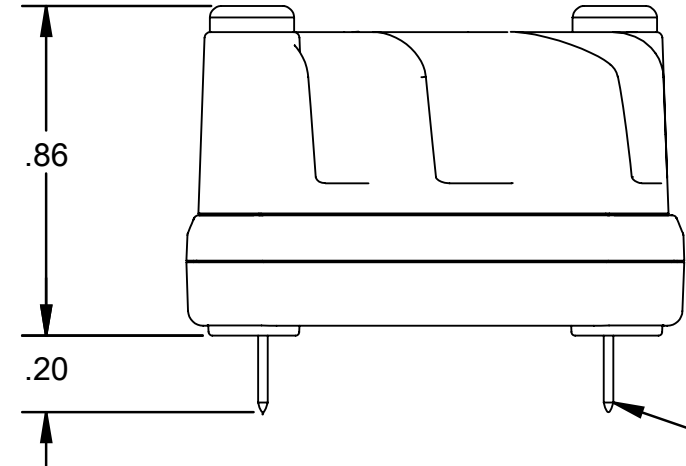
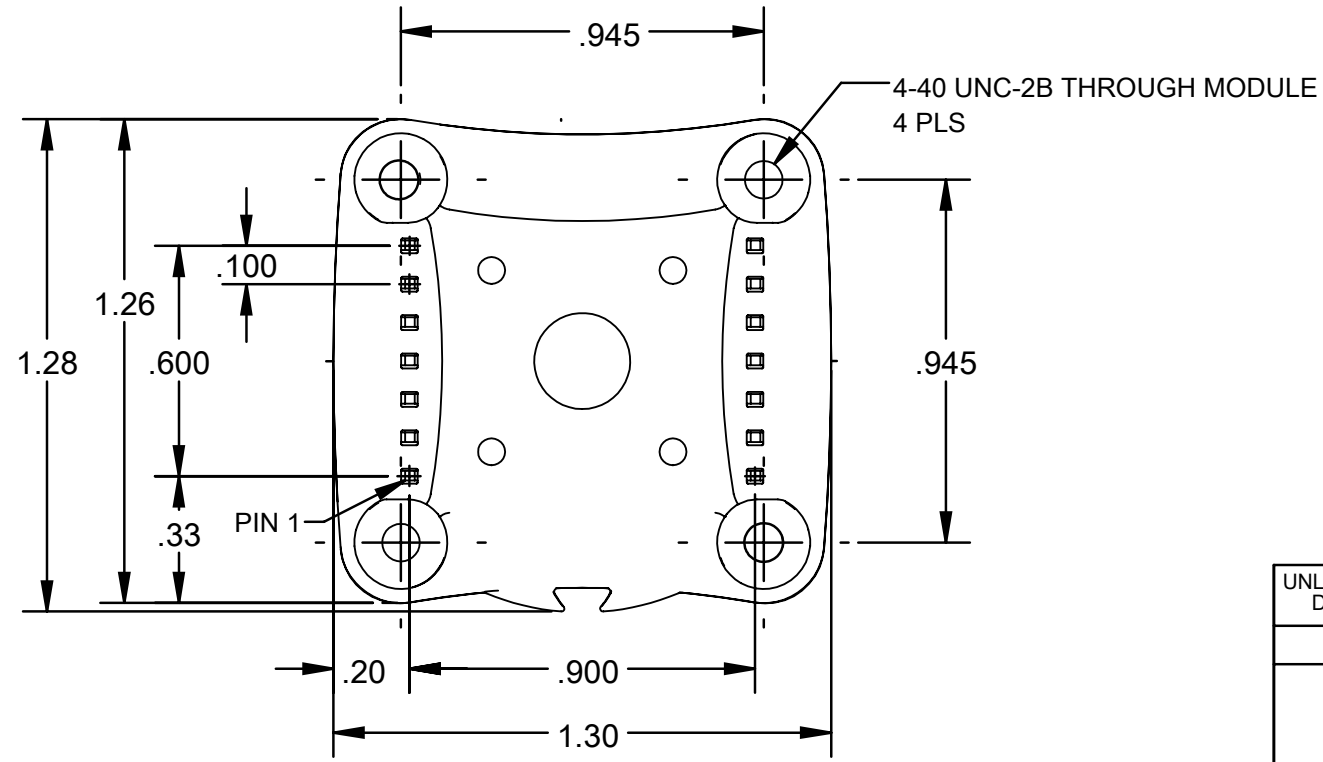


REVISIONS			
REV.	DESCRIPTION	DATE	APPROVED
A	RELEASE TO PRR	6-30-21	GSN



RECOMMENDED HOLE
DIAMETER AFTER PLATING
Ø .038"



UNLESS OTHERWISE SPECIFIED
DIMENSIONS ARE IN INCHES

TOLERANCES	
1 PL DECIMALS	± .1
2 PL DECIMALS	± .01
3 PL DECIMALS	± .005
ANGLES ± 1°	
FRACTIONS ± 1/64TH	
THIRD ANGLE PROJECTION	

THIS DRAWING AND INFORMATION CONTAINED THEREIN ARE THE PROPERTY OF WAVELENGTH ELECTRONICS, INC. (WEI). BY ACCEPTING THIS INFORMATION, THE BORROWER AGREES THAT IT WILL NOT BE USED FOR ANY PURPOSE OTHER THAN FOR WHICH IT WAS LOANED. IF THE BORROWER OF THIS DOCUMENT HAS NOT SIGNED A CONFIDENTIALITY AGREEMENT WITH WEI, THEN HE/SHE MUST REPORT THIS FACT TO WEI.

APPROVALS		DATE	 WAVELENGTH ELECTRONICS	Phone: (406) 587-4183 Fax: (406)-587-4911 51 Evergreen Dr. Suite B Bozeman, MT. 59715
SIGNATURES				
ORIGINATOR	G. NIEBEL	6-30-21	TITLE: WxxND MODULE w/HEATSINK	SIZE B DWG (PRR) NO. : MOD A
ENGINEERING				
CHECKED				
APPROVED				
APPROVED			SCALE: 1:1	SHEET 1 OF 1

