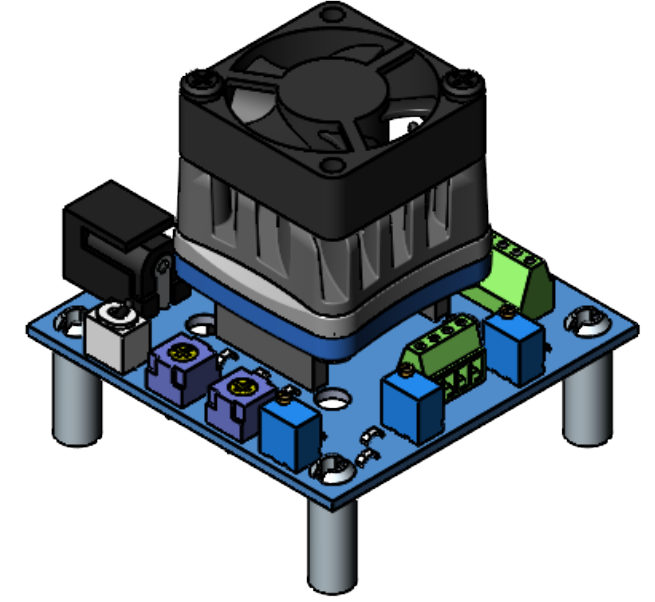
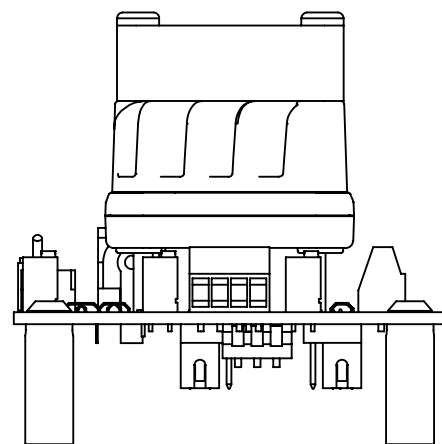
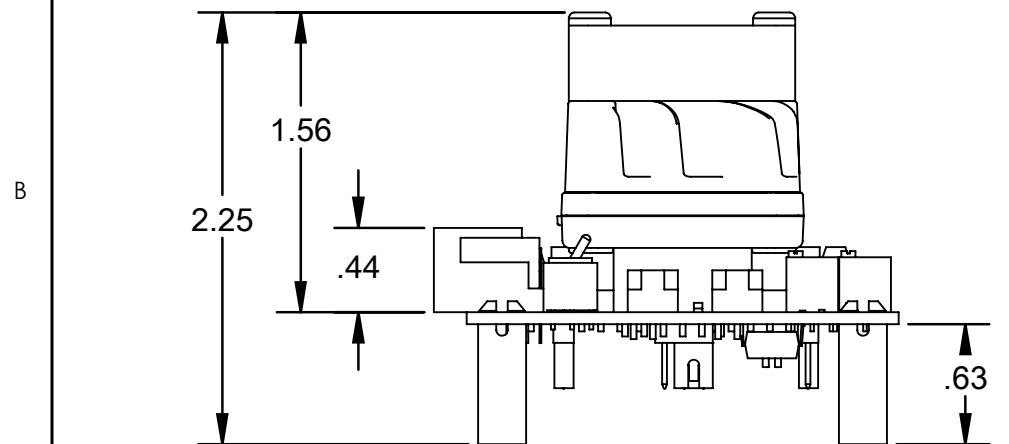
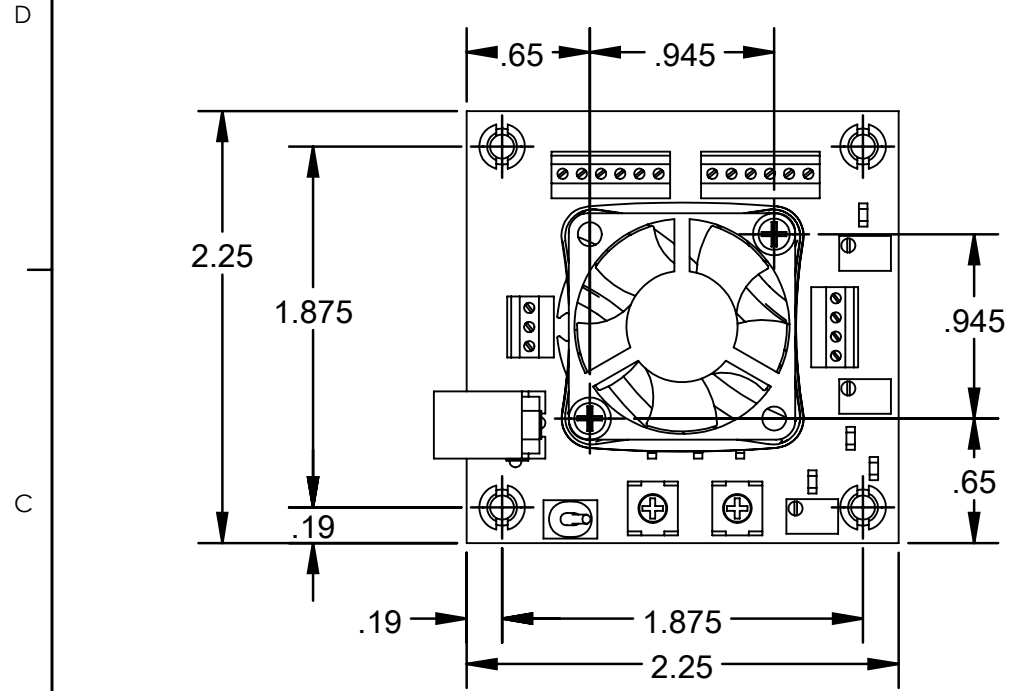

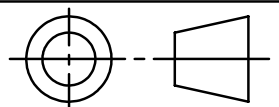


REVISIONS			
REV.	DESCRIPTION	DATE	APPROVED
A	RELEASE TO PRR	7-8-21	GSN



UNLESS OTHERWISE SPECIFIED DIMENSIONS ARE IN INCHES		THIS DRAWING AND INFORMATION CONTAINED THEREIN ARE THE PROPERTY OF WAVELENGTH ELECTRONICS, INC. (WEI). BY ACCEPTING THIS INFORMATION, THE BORROWER AGREES THAT IT WILL NOT BE USED FOR ANY PURPOSE OTHER THAN FOR WHICH IT WAS LOANED. IF THE BORROWER OF THIS DOCUMENT HAS NOT SIGNED A CONFIDENTIALITY AGREEMENT WITH WEI, THEN HE/SHE MUST REPORT THIS FACT TO WEI.		 WAVELENGTH ELECTRONICS™ Phone: (406) 587-4183 Fax: (406)-587-4911 51 Evergreen Dr. Suite B Bozeman, MT. 59715																			
TOLERANCES 1 PL DECIMALS ± .1 2 PL DECIMALS ± .01 3 PL DECIMALS ± .005 ANGLES ± 1° FRACTIONS ± 1/64TH		APPROVALS <table border="1"> <thead> <tr> <th colspan="2">SIGNATURES</th> <th>DATE</th> </tr> </thead> <tbody> <tr> <td>ORIGINATOR</td> <td>G. NIEBEL</td> <td>7-8-21</td> </tr> <tr> <td>ENGINEERING</td> <td></td> <td></td> </tr> <tr> <td>CHECKED</td> <td></td> <td></td> </tr> <tr> <td>APPROVED</td> <td></td> <td></td> </tr> <tr> <td>APPROVED</td> <td></td> <td></td> </tr> </tbody> </table>		SIGNATURES		DATE	ORIGINATOR	G. NIEBEL	7-8-21	ENGINEERING			CHECKED			APPROVED			APPROVED			TITLE: WTC3293 EVAL BOARD DIMENSIONS with CONTROLLER_HEATSINK_FAN	
SIGNATURES		DATE																					
ORIGINATOR	G. NIEBEL	7-8-21																					
ENGINEERING																							
CHECKED																							
APPROVED																							
APPROVED																							
THIRD ANGLE PROJECTION 		SIZE B		DWG (PRR) NO. : WTC3293																			
		SCALE: 1:1		MOD A SHEET 1 OF 1																			

