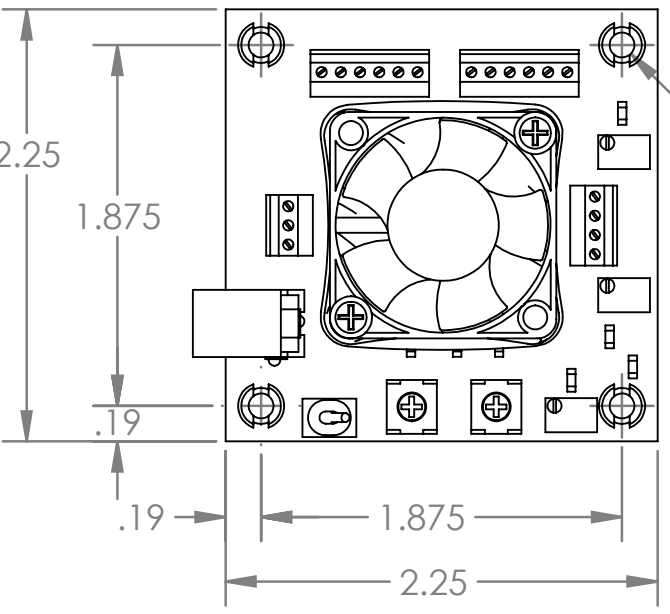
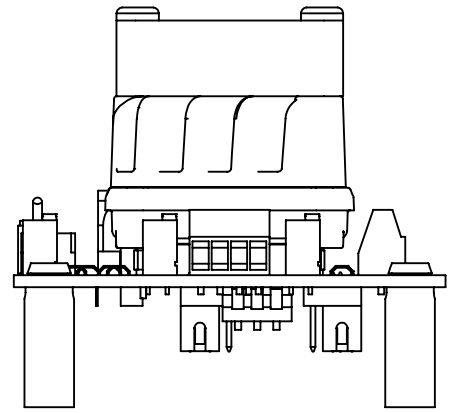
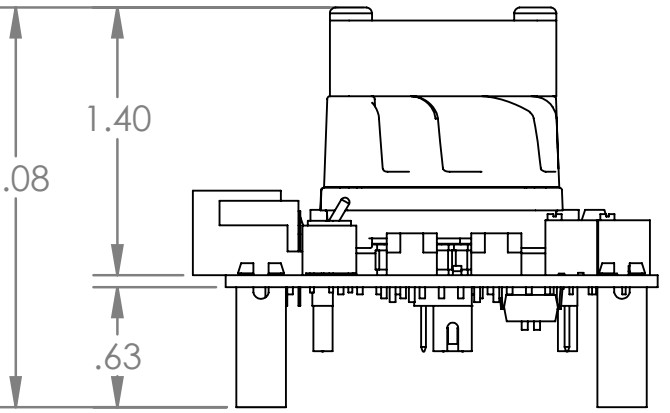
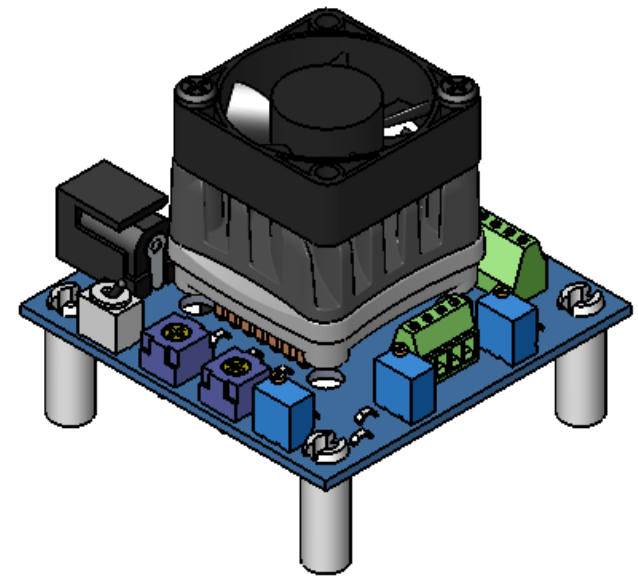


REVISIONS			
REV.	DESCRIPTION	DATE	APPROVED
A	INTRODUCE TO PRR	3-25-13	GSN

D
C
B
A



Ø.156 MOUNTING HOLE FOR STANDOFFS 4 PLS



D
C
B
A

UNLESS OTHERWISE SPECIFIED DIMENSIONS ARE IN INCHES		THIS DRAWING AND INFORMATION CONTAINED THEREIN ARE THE PROPERTY OF WAVELENGTH ELECTRONICS, INC. (WEI). BY ACCEPTING THIS INFORMATION, THE BORROWER AGREES THAT IT WILL NOT BE USED FOR ANY PURPOSE OTHER THAN FOR WHICH IT WAS LOANED. IF THE BORROWER OF THIS DOCUMENT HAS NOT SIGNED A CONFIDENTIALITY AGREEMENT WITH WEI, THEN HE/SHE MUST REPORT THIS FACT TO WEI.		WAVELENGTH ELECTRONICS Phone: (406) 587-4183 Fax: (406)-587-4911 51 Evergreen Dr. Suite B Bozeman, MT. 59715	
TOLERANCES 1 PL DECIMALS ± .1 2 PL DECIMALS ± .01 3 PL DECIMALS ± .005 ANGLES ± 1° FRACTIONS ± 1/64TH		APPROVALS SIGNATURES DATE ORIGINATOR G. NIEBEL 3-25-13 ENGINEERING CHECKED APPROVED APPROVED		TITLE: WTC3293 Eval Brd w_Module_HS_Fan Package Dims	
THIRD ANGLE PROJECTION 		SIZE DWG (PRR) NO. : REV B A		SCALE: 1:1 SHEET 1 OF 1	

