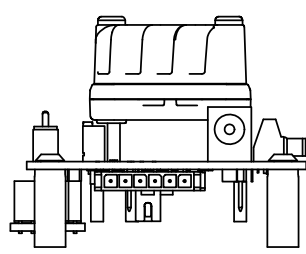
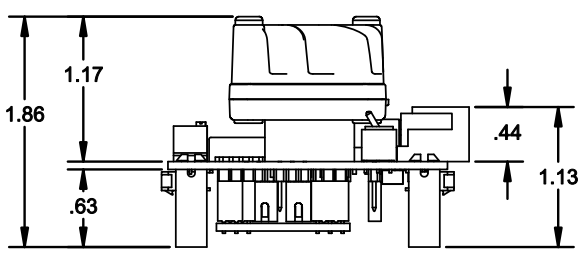
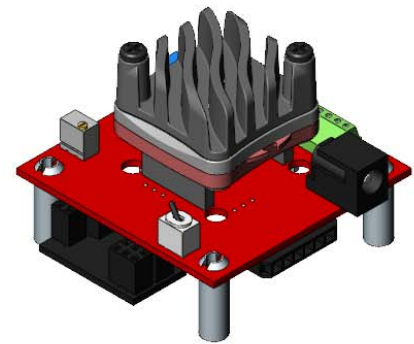
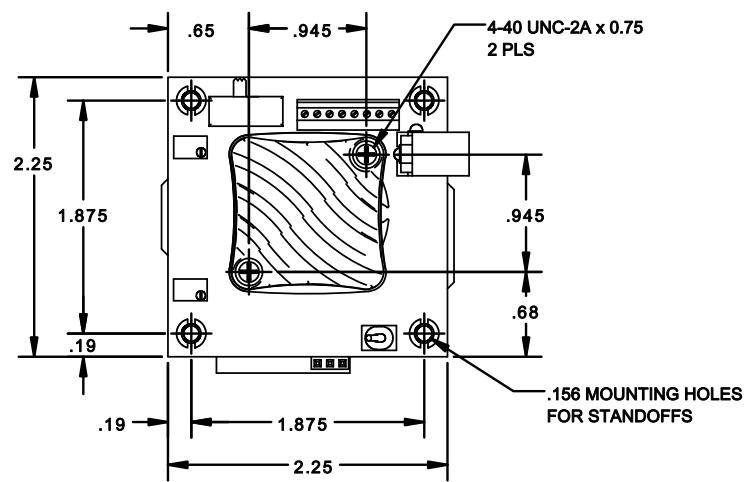


8 7 6 5 4 3 2 1

REVISIONS			
REV.	DESCRIPTION	DATE	APPROVED
A	RELEASE TO PRR	7-13-21	GSN



UNLESS OTHERWISE SPECIFIED DIMENSIONS ARE IN INCHES		THIS DRAWING AND INFORMATION CONTAINED THEREIN ARE THE PROPERTY OF WAVELENGTH ELECTRONICS, INC. (WEL). BY ACCEPTING THIS INFORMATION, THE BORROWER AGREES THAT IT WILL NOT BE USED FOR ANY PURPOSE OTHER THAN FOR WHICH IT WAS LOANED. IF THE BORROWER OF THIS DOCUMENT HAS NOT SIGNED A CONFIDENTIALITY AGREEMENT WITH WEL, THEN HE/SHE MUST REPORT THIS FACT TO WEL.	
TOLERANCES		APPROVALS	
1 PL DECIMALS ± .1 2 PL DECIMALS ± .01 3 PL DECIMALS ± .005		SIGNATURES      DATE	
ANGLES ± 1° FRACTIONS ± 1/64TH		ORIGINATOR	G. NIEBEL      7-13-21
THIRD ANGLE PROJECTION		ENGINEERING	
		CHECKED	
		APPROVED	
		APPROVED	
		Phone: (406) 587-4183 Fax: (406) 587-4911 51 Evergreen Dr. Suite B Bozeman, MT. 59715	
		TITLE: <b>WLD3393 EVAL BOARD with CONTROLLER_HEATSINK</b>	
		SIZE <b>B</b>	DWG (PRR) NO.: <b>WLD3393</b>
		MOD <b>A</b>	
		SCALE: 1:1	SHEET 1 OF 1

8 7 6 5 4 3 2 1