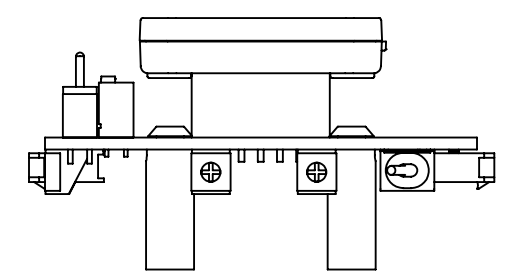
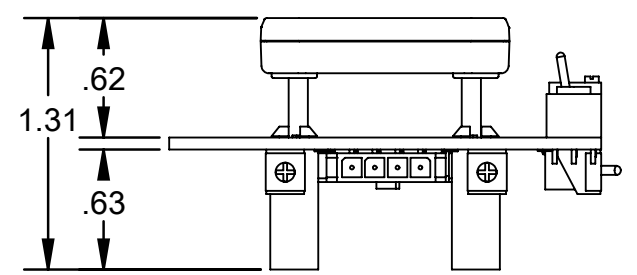
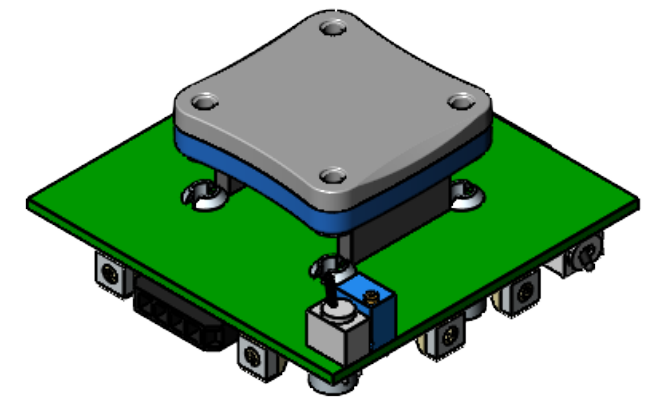
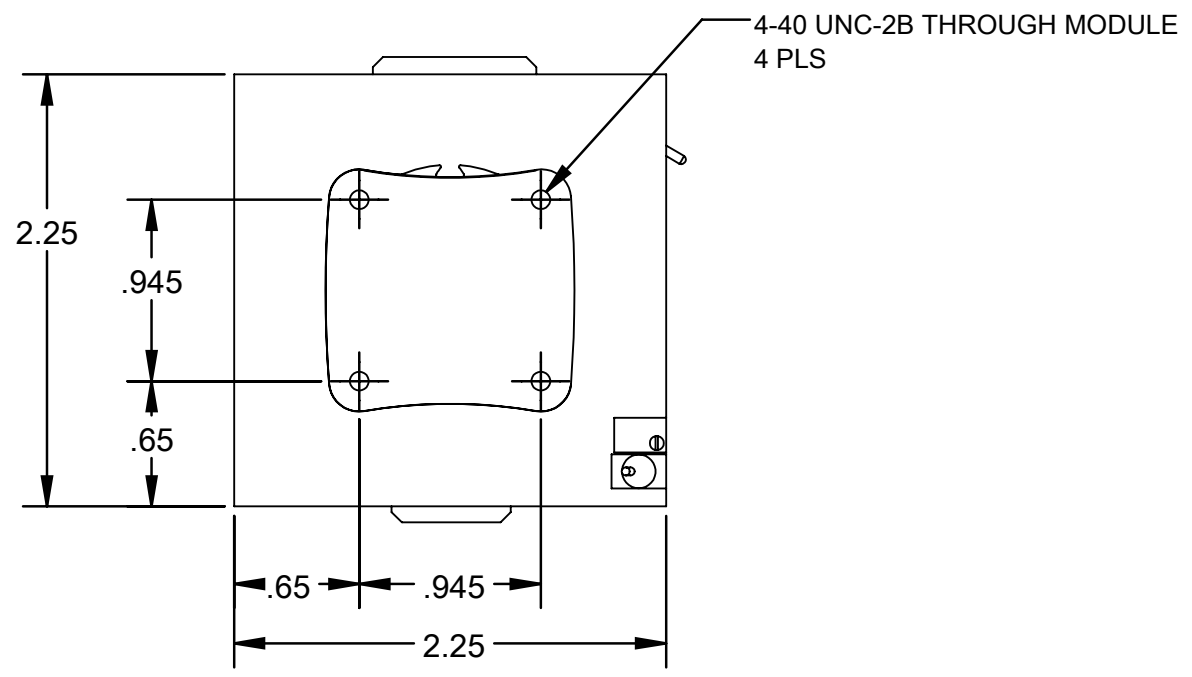


REVISIONS			
REV.	DESCRIPTION	DATE	APPROVED
A	RELEASE TO PRR	7-19-21	GSN



UNLESS OTHERWISE SPECIFIED DIMENSIONS ARE IN INCHES		THIS DRAWING AND INFORMATION CONTAINED THEREIN ARE THE PROPERTY OF WAVELENGTH ELECTRONICS, INC. (WEI). BY ACCEPTING THIS INFORMATION, THE BORROWER AGREES THAT IT WILL NOT BE USED FOR ANY PURPOSE OTHER THAN FOR WHICH IT WAS LOANED. IF THE BORROWER OF THIS DOCUMENT HAS NOT SIGNED A CONFIDENTIALITY AGREEMENT WITH WEI, THEN HE/SHE MUST REPORT THIS FACT TO WEI.			
TOLERANCES		APPROVALS			
1 PL DECIMALS ± .1 2 PL DECIMALS ± .01 3 PL DECIMALS ± .005		SIGNATURES		DATE	
ANGLES ± 1° FRACTIONS ± 1/64TH		ORIGINATOR	G. NIEBEL	7-19-221	
THIRD ANGLE PROJECTION		ENGINEERING			
		CHECKED			
		APPROVED			
		APPROVED			
				Phone: (406) 587-4183 Fax: (406)-587-4911 51 Evergreen Dr. Suite B Bozeman, MT. 59715	
		TITLE: WHY5640 EVAL BOARD with CONTROLLER			
		SIZE B	DWG (PRR) NO. : WHY5640		MOD A
		SCALE: 1:1			SHEET 1 OF 1

