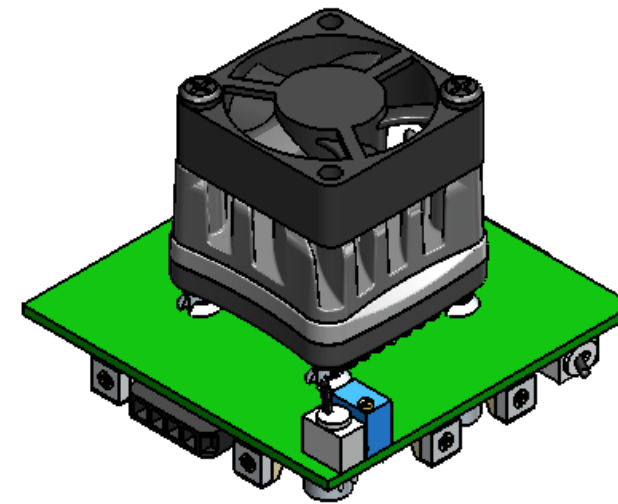
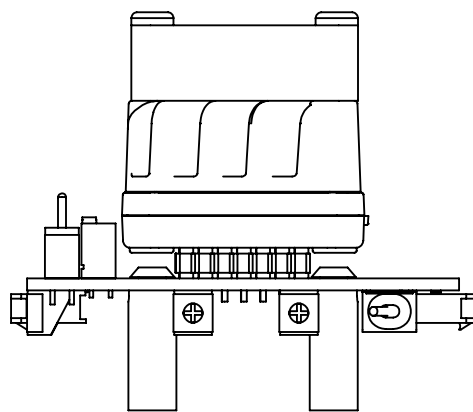
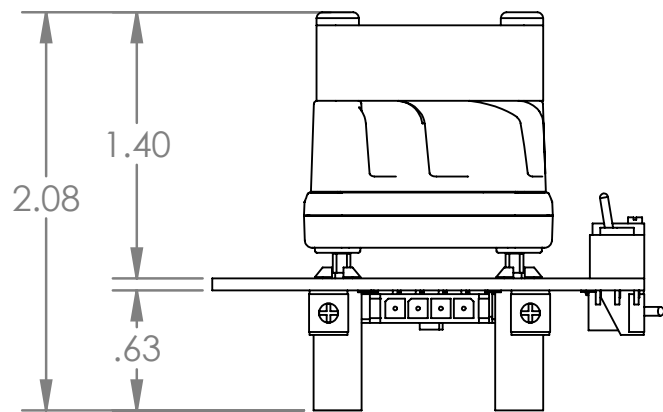
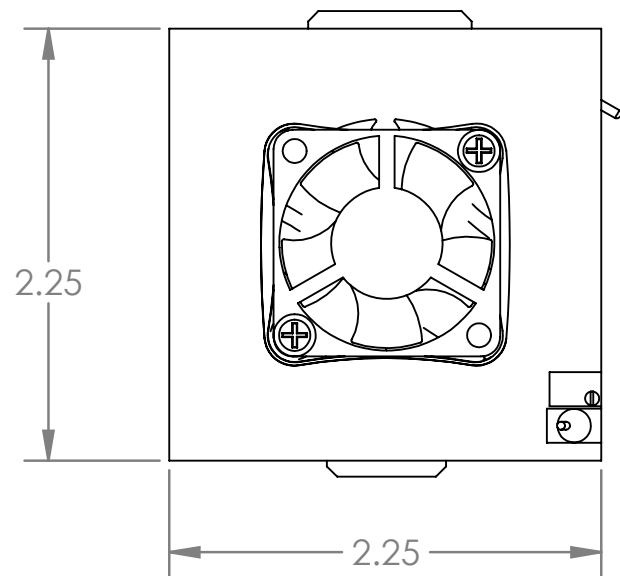
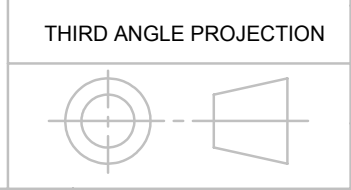


REVISIONS			
REV.	DESCRIPTION	DATE	APPROVED
A	INTRODUCE TO PRR	3-18-13	GSN



UNLESS OTHERWISE SPECIFIED
DIMENSIONS ARE IN INCHES

TOLERANCES	
1 PL DECIMALS	± .1
2 PL DECIMALS	± .01
3 PL DECIMALS	± .005
ANGLES	± 1°
FRACTIONS	± 1/64TH



THIS DRAWING AND INFORMATION CONTAINED THEREIN ARE THE PROPERTY OF WAVELENGTH ELECTRONICS, INC. (WEI). BY ACCEPTING THIS INFORMATION, THE BORROWER AGREES THAT IT WILL NOT BE USED FOR ANY PURPOSE OTHER THAN FOR WHICH IT WAS LOANED. IF THE BORROWER OF THIS DOCUMENT HAS NOT SIGNED A CONFIDENTIALITY AGREEMENT WITH WEI, THEN HE/SHE MUST REPORT THIS FACT TO WEI.

APPROVALS		
SIGNATURES	DATE	
ORIGINATOR G. NIEBEL	3-18-13	
ENGINEERING		
CHECKED		
APPROVED		
APPROVED		


WAVELENGTH ELECTRONICS™
 Phone: (406) 587-4183
 Fax: (406)-587-4911
 51 Evergreen Dr. Suite B
 Bozeman, MT. 59715

TITLE: WHY5690 w Module-Heatsink_Fan		REV A
SIZE B	DWG (PRR) NO. :	
SCALE: 1:1	SHEET 1 OF 1	

