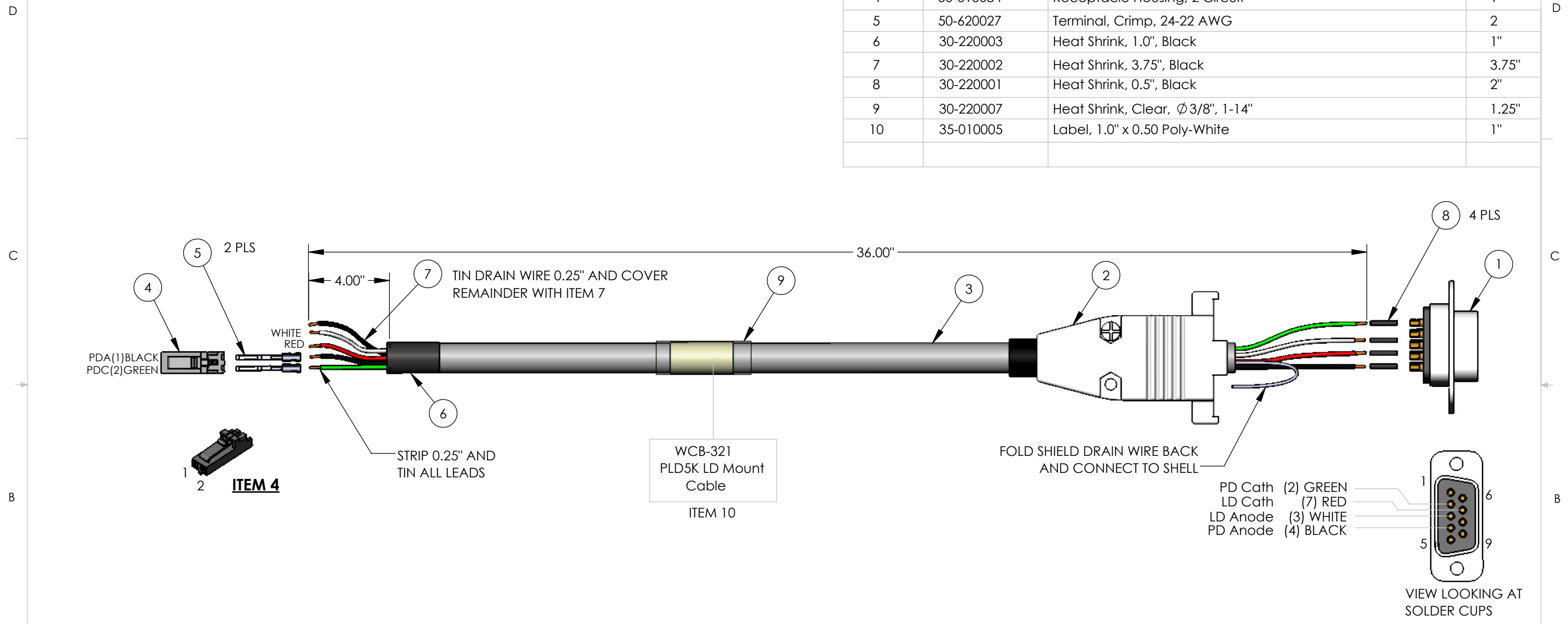


REVISIONS			
REV.	DESCRIPTION	DATE	APPROVED
A	RELEASE TO PRR	4-5-17	GSN

ITEM #	PART NO.	DESCRIPTION	QTY
1	50-610007	Plug, DB9	1
2	50-610011	Hood, Connector, DB9	1
3	55-110000	Cable, 4-Conductor, 22 AWG, W/Shield	36"
4	50-610084	Receptacle Housing, 2 Circuit	1
5	50-620027	Terminal, Crimp, 24-22 AWG	2
6	30-220003	Heat Shrink, 1.0", Black	1"
7	30-220002	Heat Shrink, 3.75", Black	3.75"
8	30-220001	Heat Shrink, 0.5", Black	2"
9	30-220007	Heat Shrink, Clear, Ø 3/8", 1-14"	1.25"
10	35-010005	Label, 1.0" x 0.50 Poly-White	1"



- NOTES:**
- CONSTRUCT CABLE TO IPC-A-510 STANDARDS AND WAVELENGTH ELECTRONICS (WEI) WORKMANSHIP MANUAL.
 - INSPECTION: INSPECT TO IPC-A-510 STANDARDS AND WEI WORKMANSHIP MANUAL. VERIFY CABLE LENGTH, LEAD LENGTH AND HEATSHRINK PLACEMENT. VERIFY LABEL IS LOCATED AS INDICATED WITH CORRECT INFORMATION.

UNLESS OTHERWISE SPECIFIED DIMENSIONS ARE IN INCHES TOLERANCES

1 PL DECIMALS	± .1
2 PL DECIMALS	± .01
3 PL DECIMALS	± .005
ANGLES	± 1°
FRACTIONS	± 1/64TH

THIRD ANGLE PROJECTION

THIS DRAWING AND INFORMATION CONTAINED THEREIN ARE THE PROPERTY OF WAVELENGTH ELECTRONICS, INC. (WEI). BY ACCEPTING THIS INFORMATION, THE BORROWER AGREES THAT IT WILL NOT BE USED FOR ANY PURPOSE OTHER THAN FOR WHICH IT WAS LOANED. IF THE BORROWER OF THIS DOCUMENT HAS NOT SIGNED A CONFIDENTIALITY AGREEMENT WITH WEI, THEN HE/SHE MUST REPORT THIS FACT TO WEI.

APPROVALS	
SIGNATURES	DATE
ORIGINATOR: G. NIEBEL	11-7-16
ENGINEERING	
CHECKED	
APPROVED	
APPROVED	

Wavelength Electronics™
P.O. Box 865 Bozeman, Montana 59771
Phone: (406) 587-4183
Fax: (406)-587-4911

TITLE: **PLD5K LDMount Cable**

SIZE: **B** DWG (PRR) NO.: **WCB321-00500-A** REV: **A**

SCALE: 1:1 SHEET 1 OF 1

