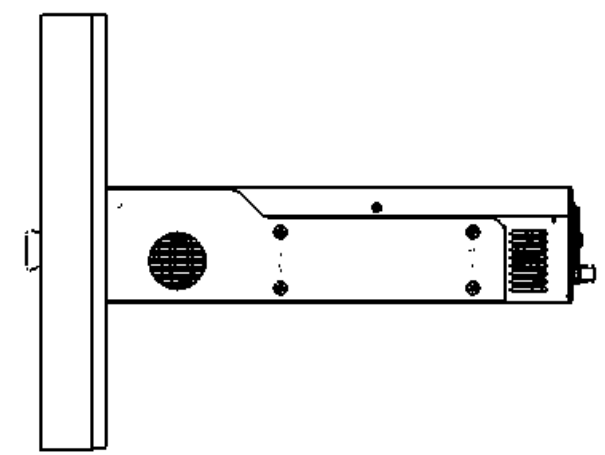
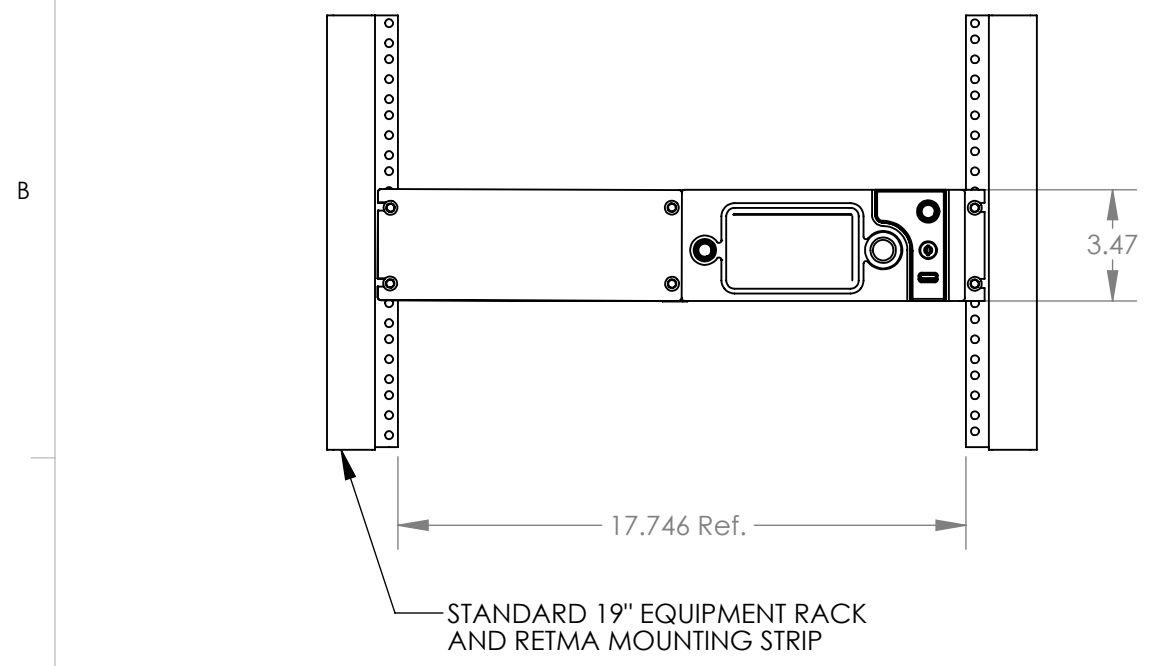
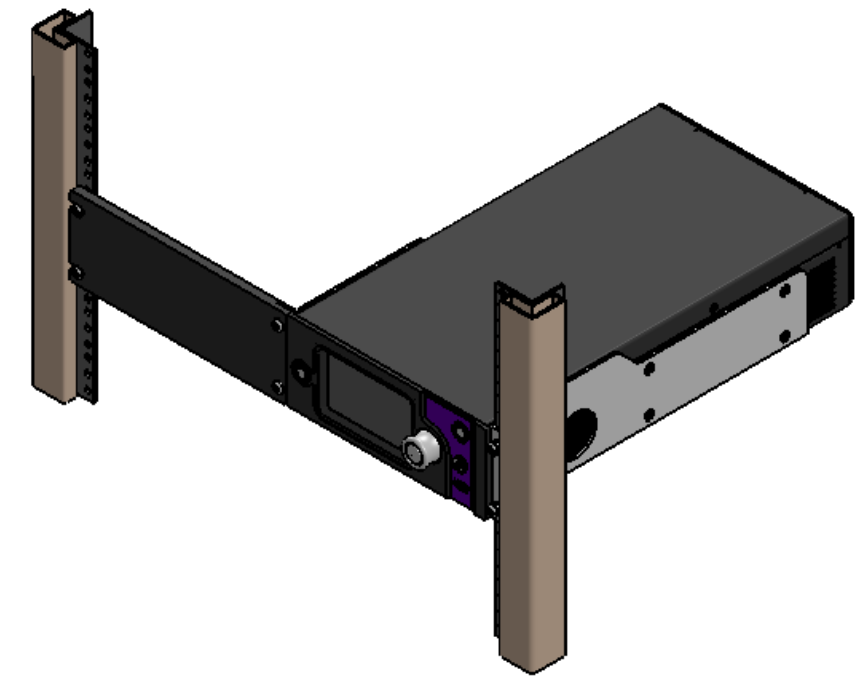
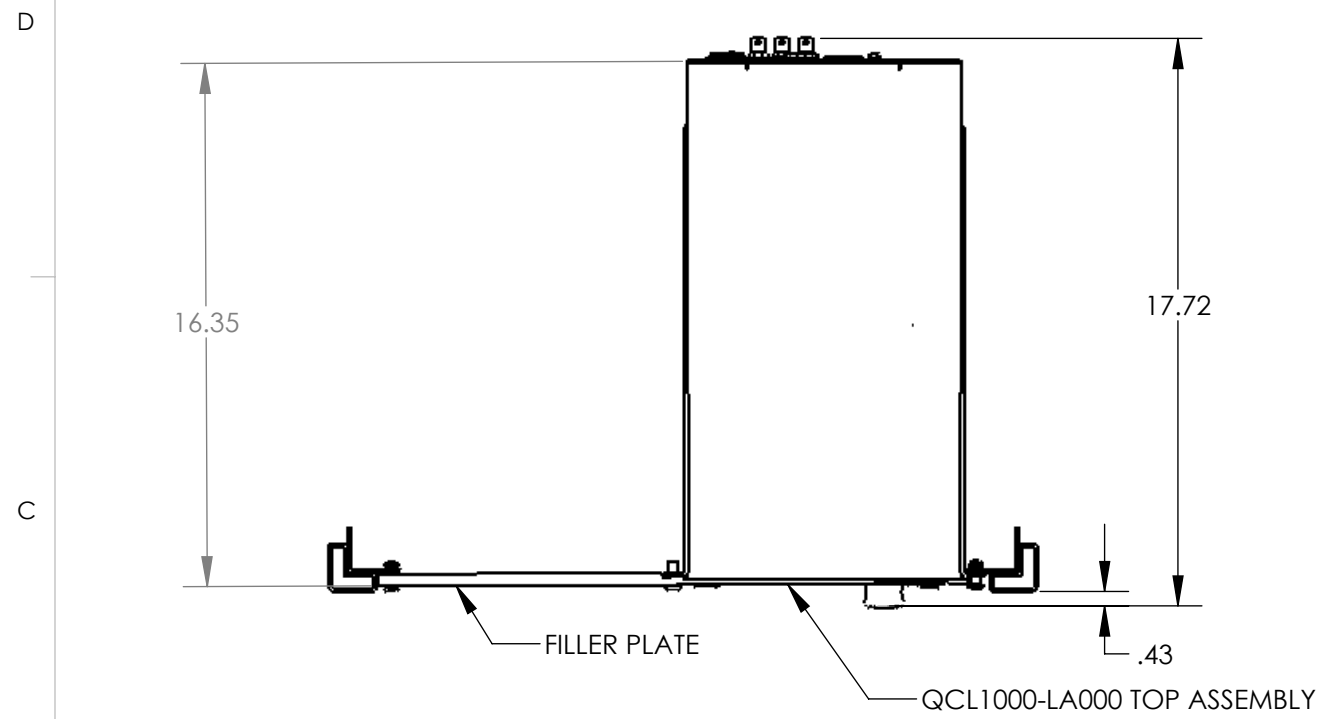


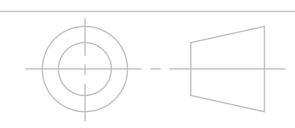
| REVISIONS |                     |          |          |
|-----------|---------------------|----------|----------|
| REV.      | DESCRIPTION         | DATE     | APPROVED |
| A         | INTRODUCTION TO PRR | 10-27-14 | GSN      |
|           |                     |          |          |



UNLESS OTHERWISE SPECIFIED  
DIMENSIONS ARE IN INCHES  
TOLERANCES

- 1 PL DECIMALS ± .1
- 2 PL DECIMALS ± .01
- 3 PL DECIMALS ± .005
- ANGLES ± 1°
- FRACTIONS ± 1/64TH

THIRD ANGLE PROJECTION



THIS DRAWING AND INFORMATION CONTAINED THEREIN ARE THE PROPERTY OF WAVELENGTH ELECTRONICS, INC. (WEI). BY ACCEPTING THIS INFORMATION, THE BORROWER AGREES THAT IT WILL NOT BE USED FOR ANY PURPOSE OTHER THAN FOR WHICH IT WAS LOANED. IF THE BORROWER OF THIS DOCUMENT HAS NOT SIGNED A CONFIDENTIALITY AGREEMENT WITH WEI, THEN HE/SHE MUST REPORT THIS FACT TO WEI.

| APPROVALS   |           |          |
|-------------|-----------|----------|
| SIGNATURES  | DATE      |          |
| ORIGINATOR  | G. NIEBEL | 10-27-14 |
| ENGINEERING |           |          |
| CHECKED     |           |          |
| APPROVED    |           |          |
| APPROVED    |           |          |


**Wavelength Electronics™**  
 P.O. Box 865 Bozeman, Montana 59771  
 Phone: (406) 587-4183 Fax: (406)-587-4911

TITLE: **RACK MOUNT KIT, LAB INSTRUMENT - SINGLE UNIT RIGHT**

SIZE **B** DWG (PRR) NO. : **RCKMT-LABSNGL-A** REV **A**

SCALE: 1:1 SHEET 1 OF 1

