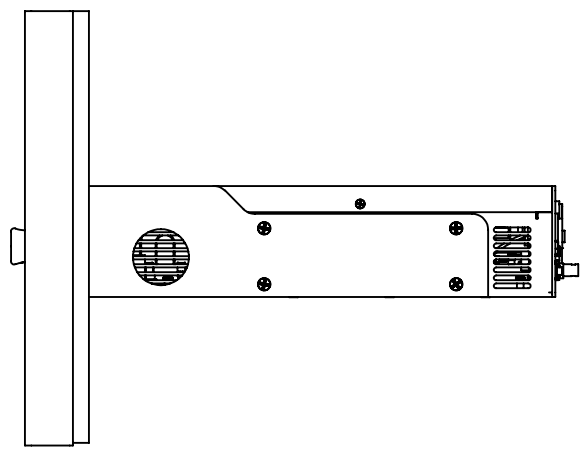
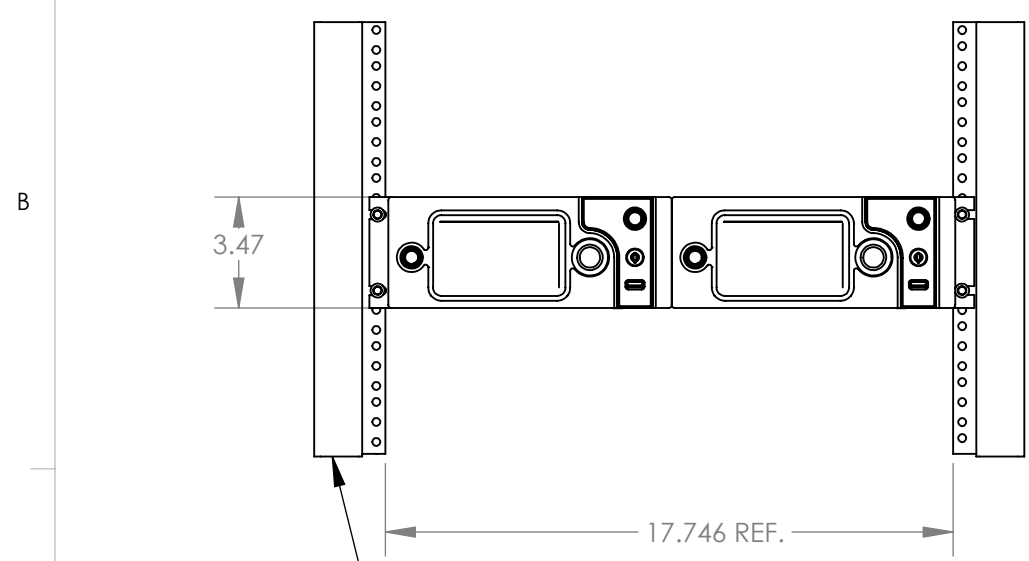
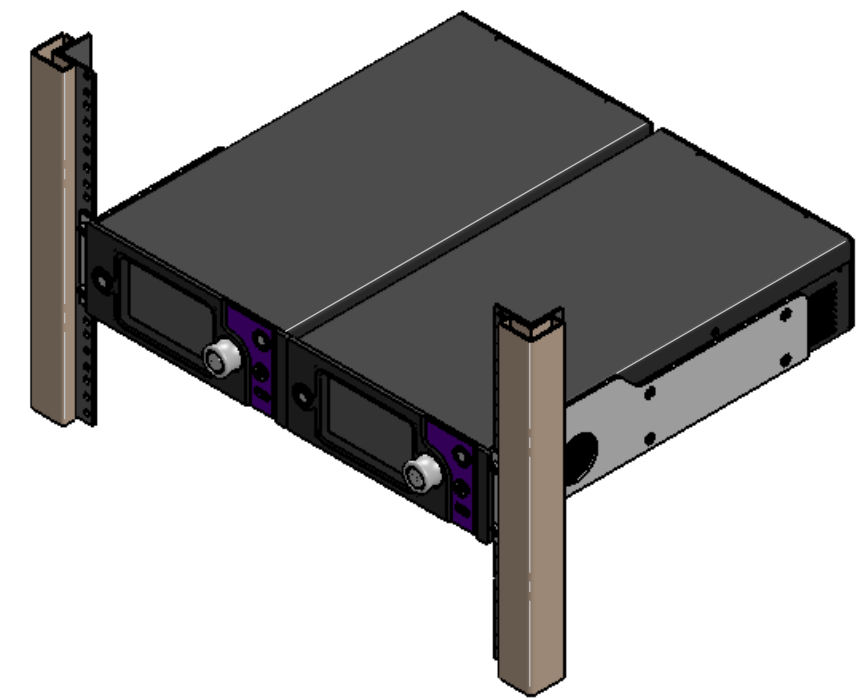
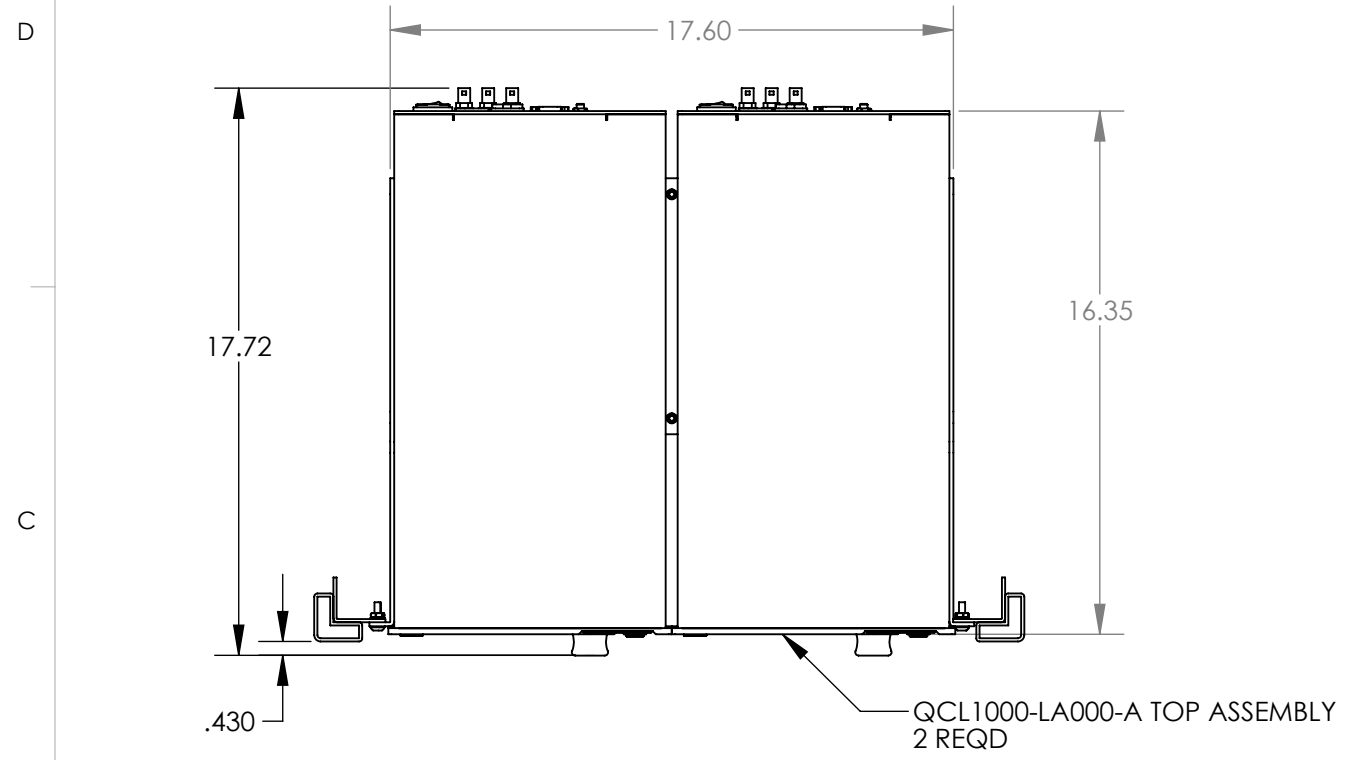


REVISIONS			
REV.	DESCRIPTION	DATE	APPROVED
A	INTRODUCTION TO PRR	10-28-14	GSN



STANDARD 19" EQUIPMENT RACK AND RETMA MOUNTING STRIP

UNLESS OTHERWISE SPECIFIED DIMENSIONS ARE IN INCHES TOLERANCES

1 PL DECIMALS	± .1
2 PL DECIMALS	± .01
3 PL DECIMALS	± .005
ANGLES	± 1°
FRACTIONS	± 1/64TH

THIRD ANGLE PROJECTION



THIS DRAWING AND INFORMATION CONTAINED THEREIN ARE THE PROPERTY OF WAVELENGTH ELECTRONICS, INC. (WEI). BY ACCEPTING THIS INFORMATION, THE BORROWER AGREES THAT IT WILL NOT BE USED FOR ANY PURPOSE OTHER THAN FOR WHICH IT WAS LOANED. IF THE BORROWER OF THIS DOCUMENT HAS NOT SIGNED A CONFIDENTIALITY AGREEMENT WITH WEI, THEN HE/SHE MUST REPORT THIS FACT TO WEI.

APPROVALS		
SIGNATURES	DATE	
ORIGINATOR	G. NIEBEL	10-28-14
ENGINEERING		
CHECKED		
APPROVED		
APPROVED		


Wavelength Electronics™
 P.O. Box 865 Bozeman, Montana 59771
 Phone: (406) 587-4183 Fax: (406)-587-4911

TITLE: **RACK MOUNT KIT, LAB INSTRUMENT-DUAL UNITS**

SIZE **B** DWG (PRR) NO. : **RCKMT-LABDUAL-A** REV **A**

SCALE: 1:1 SHEET 1 OF 1

