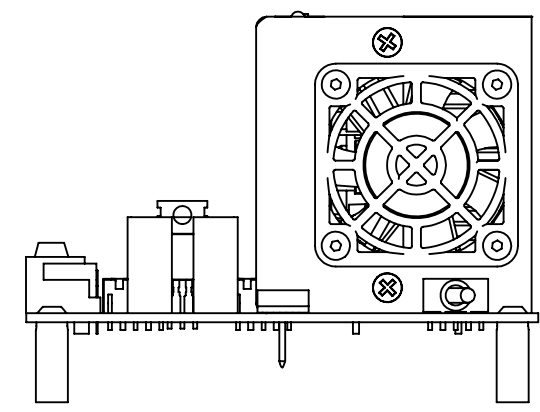
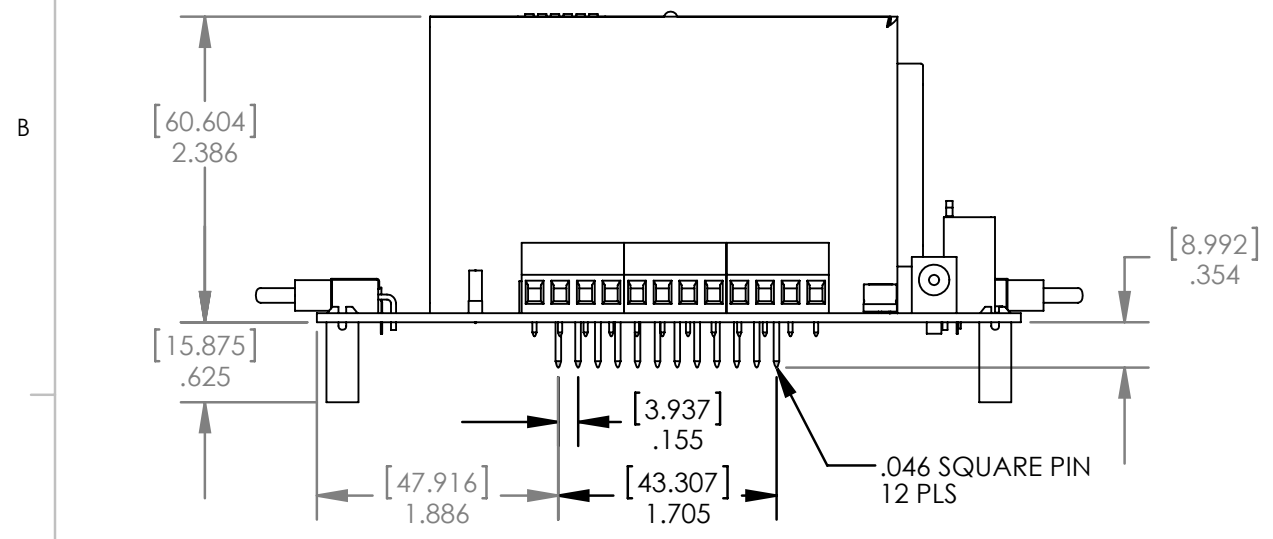
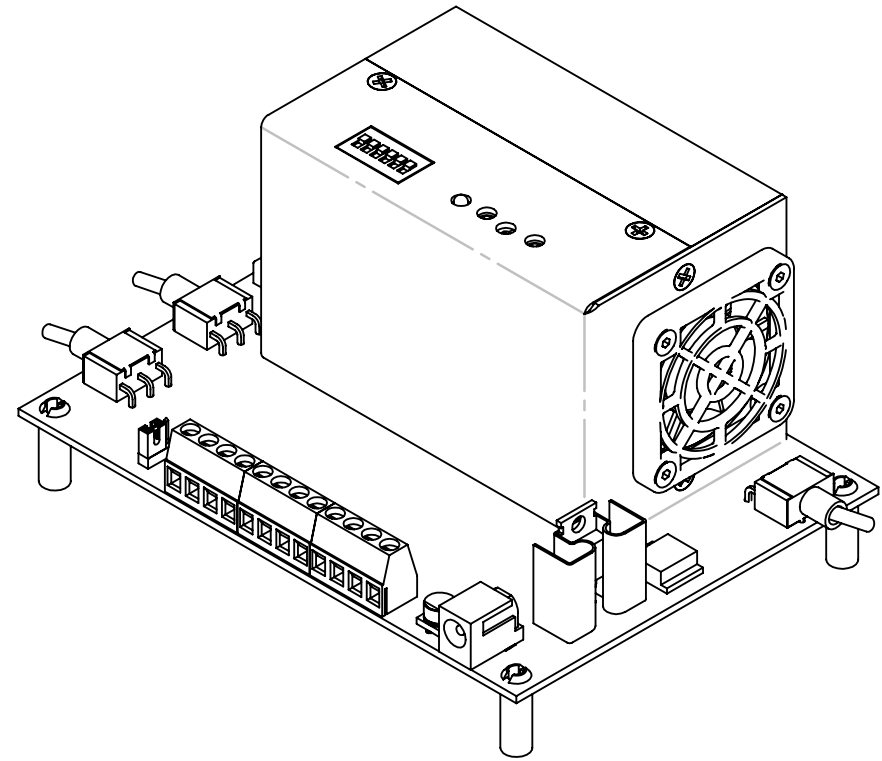
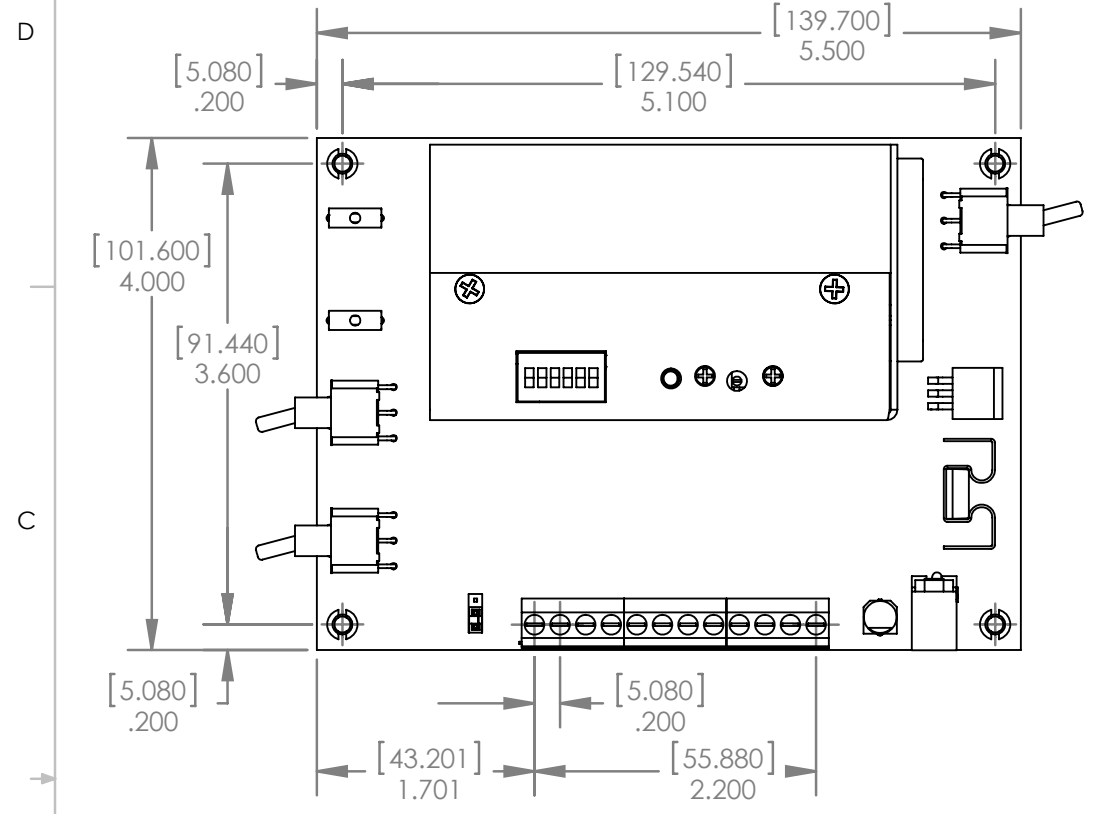


8 7 6 5 4 3 2 1

REVISIONS			
REV.	DESCRIPTION	DATE	APPROVED
A	INTRODUCE TO PRR	1-31-12	GSN



UNLESS OTHERWISE SPECIFIED DIMENSIONS ARE IN INCHES

TOLERANCES		APPROVALS	
		SIGNATURES	DATE
1 PL DECIMALS	± .1	G. NIEBEL	1-31-12
2 PL DECIMALS	± .01		
3 PL DECIMALS	± .005		
ANGLES ± 1° FRACTIONS ± 1/64TH		ENGINEERING	
THIRD ANGLE PROJECTION		CHECKED	
		APPROVED	
		APPROVED	

THIS DRAWING AND INFORMATION CONTAINED THEREIN ARE THE PROPERTY OF WAVELENGTH ELECTRONICS, INC. (WEI). BY ACCEPTING THIS INFORMATION, THE BORROWER AGREES THAT IT WILL NOT BE USED FOR ANY PURPOSE OTHER THAN FOR WHICH IT WAS LOANED. IF THE BORROWER OF THIS DOCUMENT HAS NOT SIGNED A CONFIDENTIALITY AGREEMENT WITH WEI, THEN HE/SHE MUST REPORT THIS FACT TO WEI.

WAVELENGTH ELECTRONICS
 Phone: (406) 587-4183
 Fax: (406)-587-4911
 51 Evergreen Dr. Suite B
 Bozeman, MT. 59715

TITLE: **PTPCB10000-EVAL PACKAGE DIMENSIONS**

SIZE **B** DWG (PRR) NO.: **PTCEVAL + PTC10000** REV **A**

SCALE: 1:1 SHEET 1 OF 1



8 7 6 5 4 3 2 1