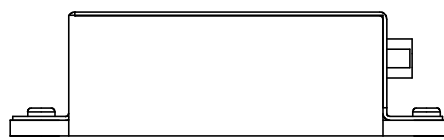
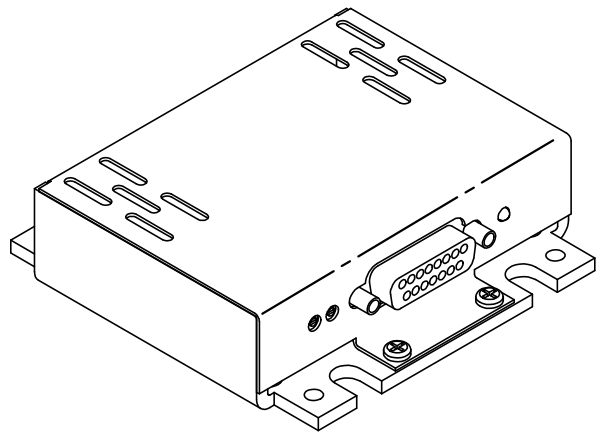
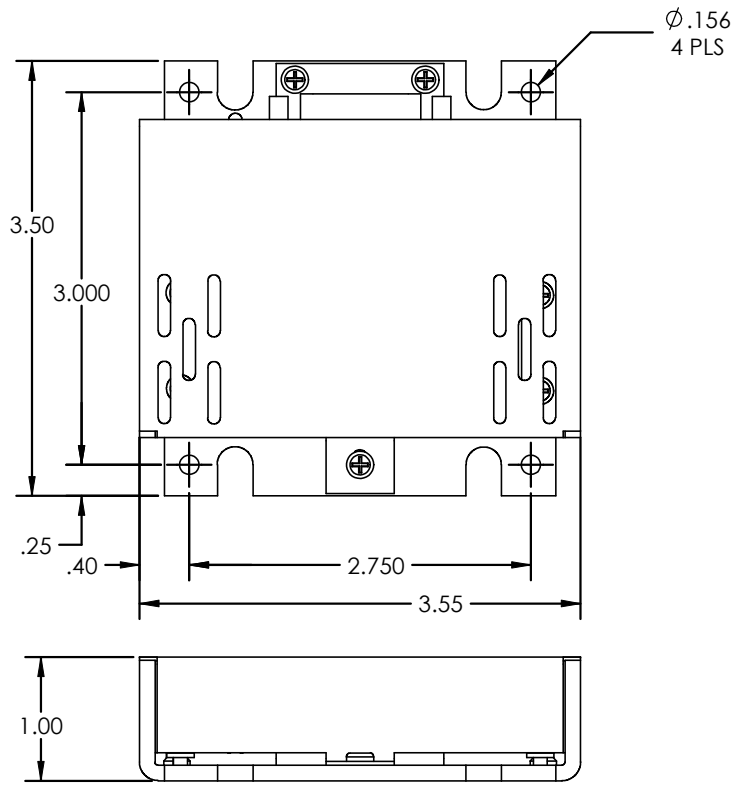


8 7 6 5 4 3 2 1

REVISIONS			
REV.	DESCRIPTION	DATE	APPROVED



D  
C  
B  
A

D  
C  
B  
A

UNLESS OTHERWISE SPECIFIED DIMENSIONS ARE IN INCHES		THIS DRAWING AND INFORMATION CONTAINED THEREIN ARE THE PROPERTY OF WAVELENGTH ELECTRONICS, INC. (WEL). BY ACCEPTING THIS INFORMATION, THE BORROWER AGREES THAT IT WILL NOT BE USED FOR ANY PURPOSE OTHER THAN FOR WHICH IT WAS LOANED. IF THE BORROWER OF THIS DOCUMENT HAS NOT SIGNED A CONFIDENTIALITY AGREEMENT WITH WEL, THEN HE/SHE MUST REPORT THIS FACT TO WEL.			
TOLERANCES		APPROVALS			
1 PL DECIMALS ± .1 2 PL DECIMALS ± .01 3 PL DECIMALS ± .005		SIGNATURES		DATE	
ANGLES ± 1° FRACTIONS ± 1/64TH		ORIGINATOR	G. NIEBEL	3-30-09	
THIRD ANGLE PROJECTION		ENGINEERING			
		CHECKED			
		APPROVED			
		APPROVED			
				Phone: (406) 587-4183 Fax: (406)-587-4911	
		TITLE: <b>MPT 5000 PACKAGE DIMENSIONS</b>			
		SIZE <b>B</b>	DWG (PRR) NO. :		REV
		SCALE: 1:2			SHEET 1 OF 1

8 7 6 5 4 3 2 1