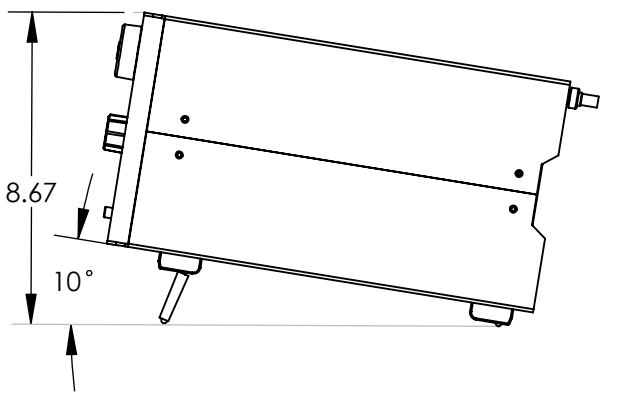
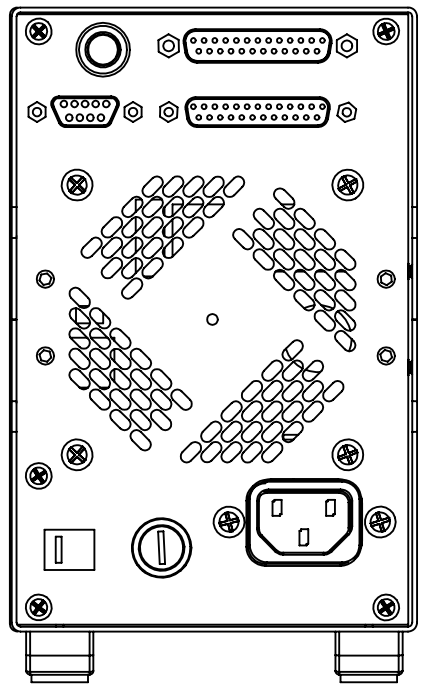
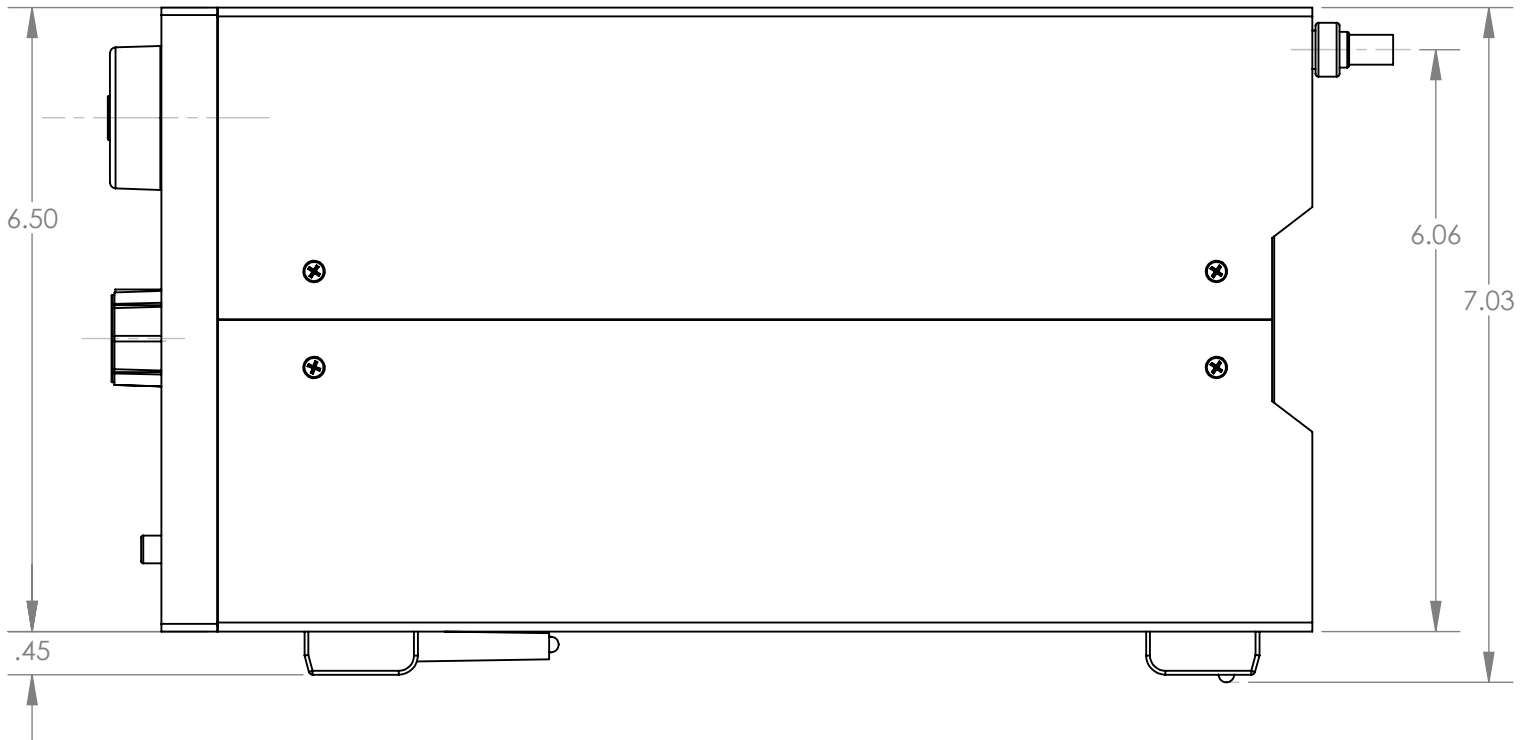
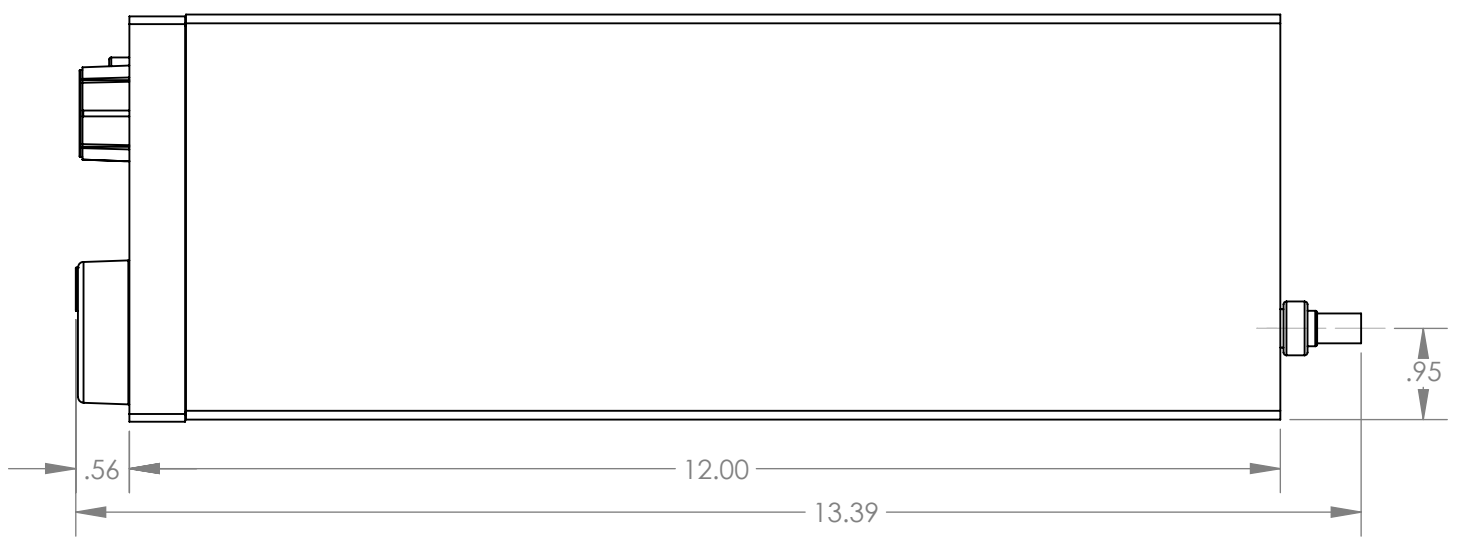
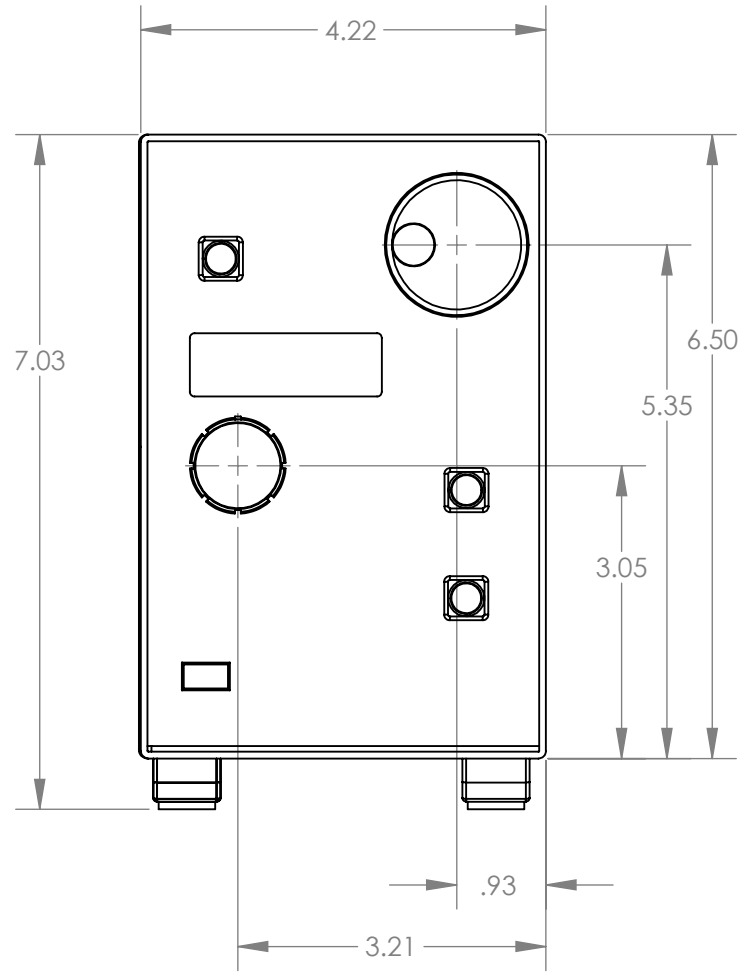


8 7 6 5 4 3 2 1

REVISIONS			
REV.	DESCRIPTION	DATE	APPROVED

D
C
B
A

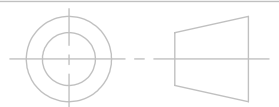


UNLESS OTHERWISE SPECIFIED
DIMENSIONS ARE IN INCHES
TOLERANCES

1 PL DECIMALS ± .1
2 PL DECIMALS ± .01
3 PL DECIMALS ± .005

ANGLES ± 1°
FRACTIONS ± 1/64TH

THIRD ANGLE PROJECTION



THIS DRAWING AND INFORMATION CONTAINED THEREIN ARE THE PROPERTY OF WAVELENGTH ELECTRONICS, INC. (WEI). BY ACCEPTING THIS INFORMATION, THE BORROWER AGREES THAT IT WILL NOT BE USED FOR ANY PURPOSE OTHER THAN FOR WHICH IT WAS LOANED. IF THE BORROWER OF THIS DOCUMENT HAS NOT SIGNED A CONFIDENTIALITY AGREEMENT WITH WEI, THEN HE/SHE MUST REPORT THIS FACT TO WEI.

APPROVALS

SIGNATURES	DATE
ORIGINATOR G. NIEBEL	2-23-15
ENGINEERING	
CHECKED	
APPROVED	
APPROVED	

Wavelength Electronics™
P.O. Box 865 Bozeman, Montana 59771
Phone: (406) 587-4183
Fax: (406)-587-4911

TITLE:
LFI PACKAGE DIMENSIONS

SIZE **B** DWG (PRR) NO. : **LFI3751** REV **A**

SCALE: 1:1 SHEET 1 OF 1



8 7 6 5 4 3 2 1