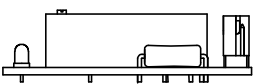
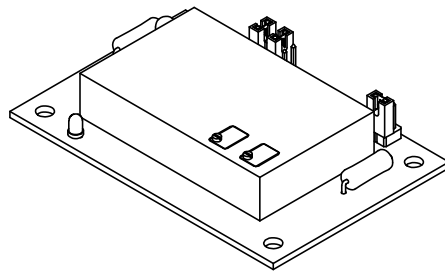
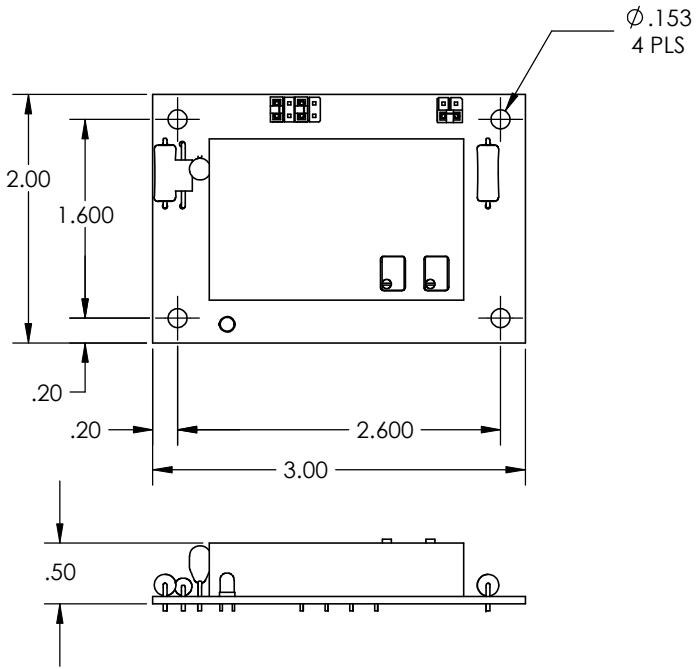


8 7 6 5 4 3 2 1

REVISIONS			
REV.	DESCRIPTION	DATE	APPROVED



D

C

B

A

D

C

B

A

UNLESS OTHERWISE SPECIFIED DIMENSIONS ARE IN INCHES	THIS DRAWING AND INFORMATION CONTAINED THEREIN ARE THE PROPERTY OF WAVELENGTH ELECTRONICS, INC. (WEI). BY ACCEPTING THIS INFORMATION, THE BORROWER AGREES THAT IT WILL NOT BE USED FOR ANY PURPOSE OTHER THAN FOR WHICH IT WAS LOANED. IF THE BORROWER OF THIS DOCUMENT HAS NOT SIGNED A CONFIDENTIALITY AGREEMENT WITH WEI, THEN HE/SHE MUST REPORT THIS FACT TO WEI.		
	APPROVALS		
TOLERANCES 1 PL DECIMALS ± .1 2 PL DECIMALS ± .01 3 PL DECIMALS ± .005  ANGLES ± 1° FRACTIONS ± 1/64TH	SIGNATURES		DATE
	ORIGINATOR	G. NIEBEL	12-10-08
THIRD ANGLE PROJECTION	ENGINEERING		
	CHECKED		
	APPROVED		
	APPROVED		
		Phone: (406) 587-4183 Fax: (406)-587-4911 51 Evergreen Dr. Suite 8, Bozeman, MT. 59715	
TITLE: <b>LDD Eval Board Assy</b>			
SIZE <b>B</b>	DWG (PRR) NO. :		REV
SCALE: 1:1			SHEET 1 OF 1

8 7 6 5 4 3 2 1