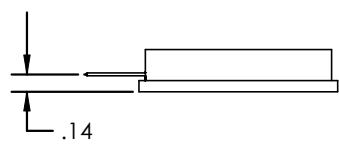
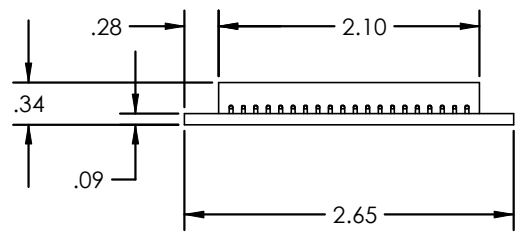
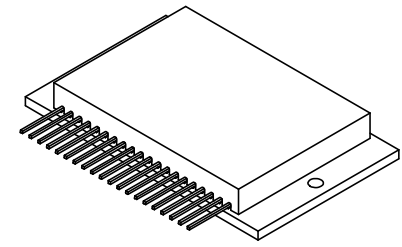
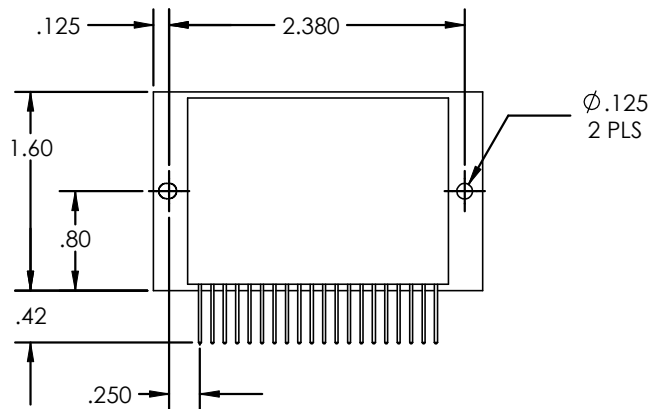

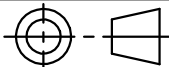


8 7 6 5 4 3 2 1

REVISIONS			
REV.	DESCRIPTION	DATE	APPROVED



UNLESS OTHERWISE SPECIFIED DIMENSIONS ARE IN INCHES		THIS DRAWING AND INFORMATION CONTAINED THEREIN ARE THE PROPERTY OF WAVELENGTH ELECTRONICS, INC. (WEI). BY ACCEPTING THIS INFORMATION, THE BORROWER AGREES THAT IT WILL NOT BE USED FOR ANY PURPOSE OTHER THAN FOR WHICH IT WAS LOANED. IF THE BORROWER OF THIS DOCUMENT HAS NOT SIGNED A CONFIDENTIALITY AGREEMENT WITH WEI, THEN HE/SHE MUST REPORT THIS FACT TO WEI.		Phone: (406) 587-4183 Fax: (406)-587-4911 51 Evergreen Dr. Suite B Bozeman, MT. 59715		
TOLERANCES		APPROVALS		 WAVELENGTH ELECTRONICS™ TITLE: HTC PACKAGE DIMENSIONS		
1 PL DECIMALS ± .1		SIGNATURES				DATE
2 PL DECIMALS ± .01		ORIGINATOR	G. NIEBEL			3-30-09
3 PL DECIMALS ± .005		ENGINEERING				
ANGLES ± 1°		CHECKED			SIZE B	
FRACTIONS ± 1/64TH		APPROVED				DWG (PRR) NO. :
THIRD ANGLE PROJECTION		APPROVED				REV
		SCALE: 1:1		SHEET 1 OF 1		



8 7 6 5 4 3 2 1

D

D

C

C

B

B

A

A