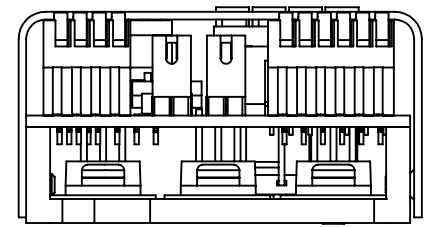
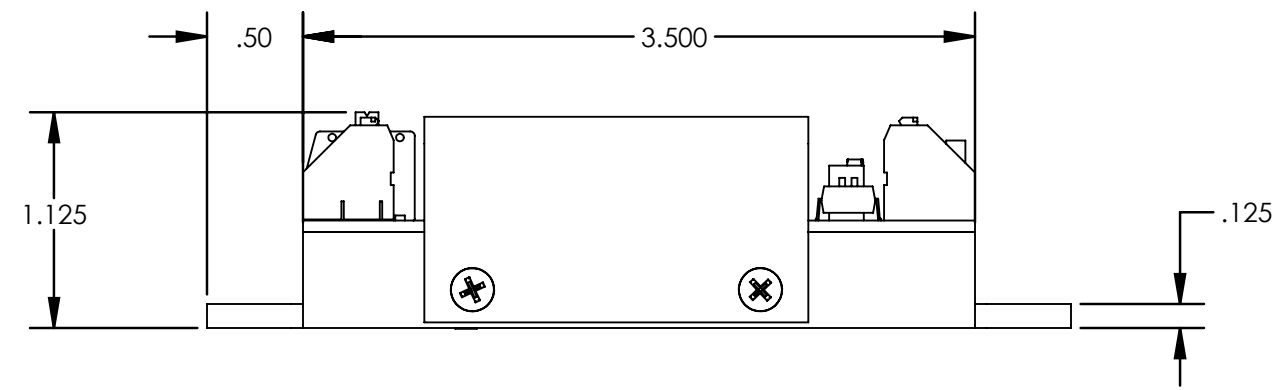
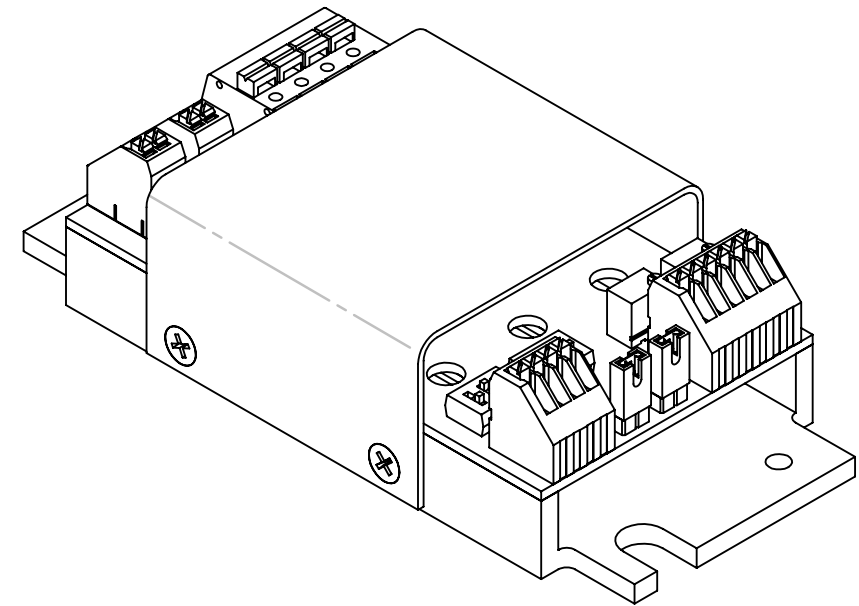
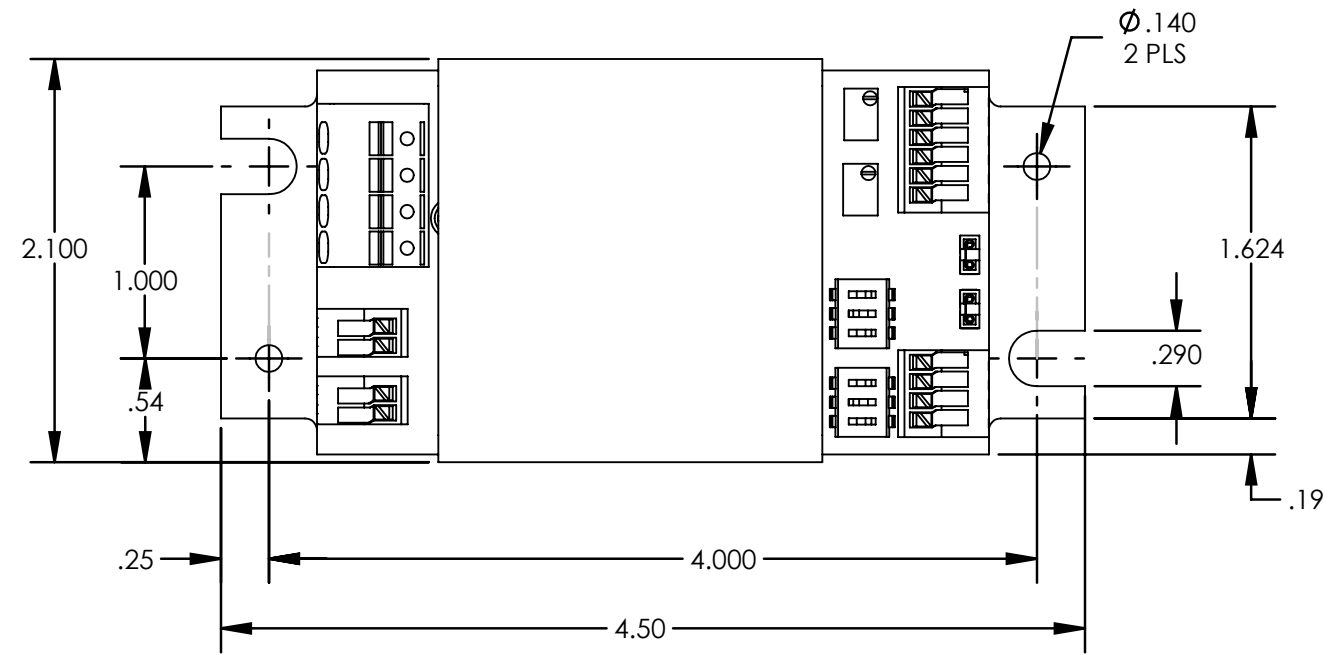


REVISIONS			
REV.	DESCRIPTION	DATE	APPROVED
A	RELEASE TO PRR	1-2-18	GSN



UNLESS OTHERWISE SPECIFIED  
DIMENSIONS ARE IN INCHES

TOLERANCES	
1 PL DECIMALS	± .1
2 PL DECIMALS	± .01
3 PL DECIMALS	± .005
ANGLES	± 1°
FRACTIONS	± 1/64TH

THIRD ANGLE PROJECTION

THIS DRAWING AND INFORMATION CONTAINED THEREIN ARE THE PROPERTY OF WAVELENGTH ELECTRONICS, INC. (WEI). BY ACCEPTING THIS INFORMATION, THE BORROWER AGREES THAT IT WILL NOT BE USED FOR ANY PURPOSE OTHER THAN FOR WHICH IT WAS LOANED. IF THE BORROWER OF THIS DOCUMENT HAS NOT SIGNED A CONFIDENTIALITY AGREEMENT WITH WEI, THEN HE/SHE MUST REPORT THIS FACT TO WEI.

APPROVALS	
SIGNATURES	DATE
ORIGINATOR: G. NIEBEL	3-19-18
ENGINEERING	
CHECKED	
APPROVED	
APPROVED	

**WAVELENGTH ELECTRONICS™**  
 Phone: (406) 587-4183  
 Fax: (406)-587-4911  
 51 Evergreen Dr. Suite B  
 Bozeman, MT. 59715

TITLE: **LDxCHA Dimensions**

SIZE <b>B</b>	DWG (PRR) NO. : <b>LDxCHA</b>	REV <b>A</b>
---------------	-------------------------------	--------------

SCALE: 1:1 SHEET 1 OF 1

