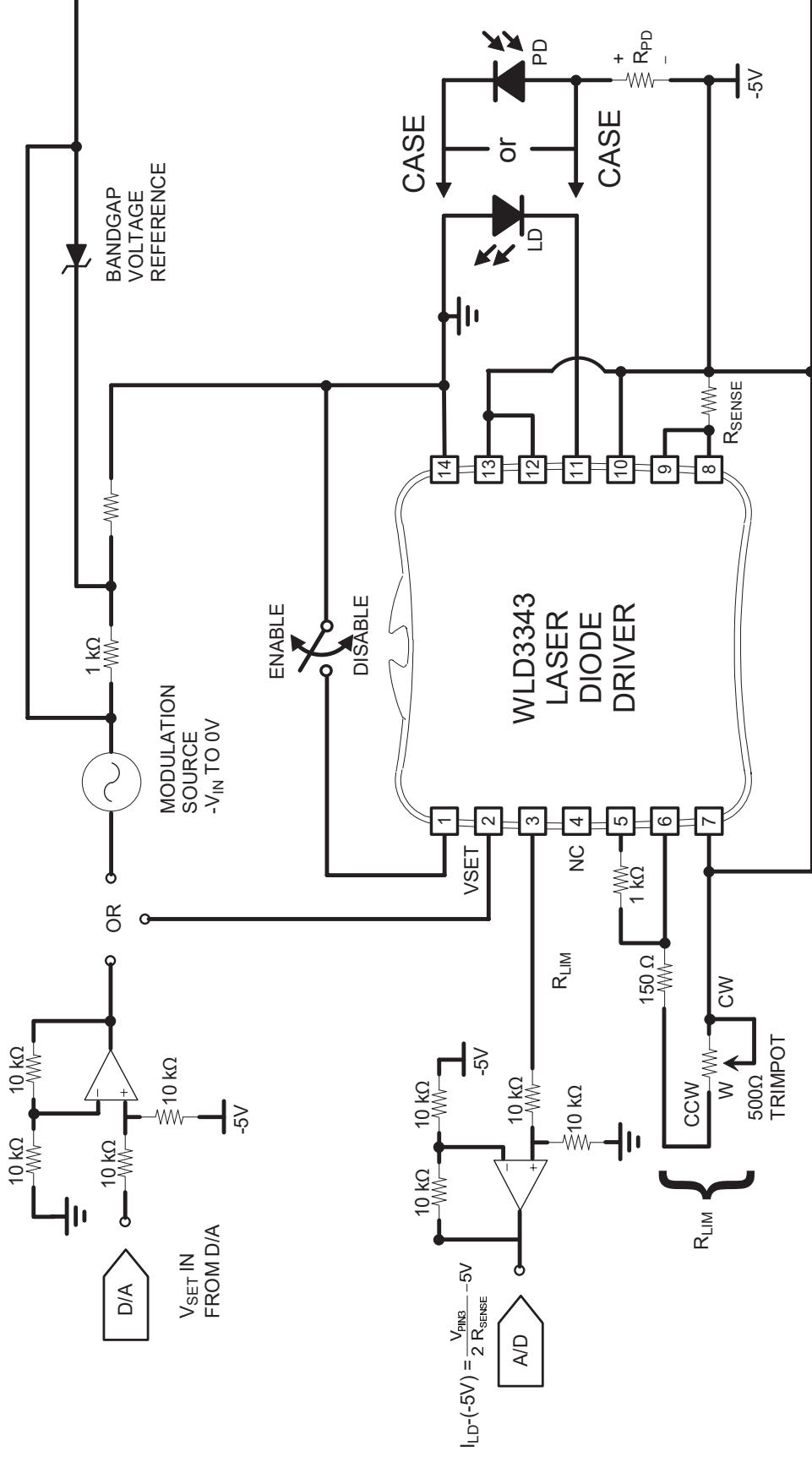


## LASER DIODE ANODE to EARTH GROUND for A/B TYPE LASER IN CC MODE

Recommended Op-Amp: AD8032



Note:

A negative power supply must be used when earth grounding the laser anode with the supply at earth ground. If the supply ground can float a positive supply can be used. The current monitor on pin 3 will also reference the use of the negative power supply.