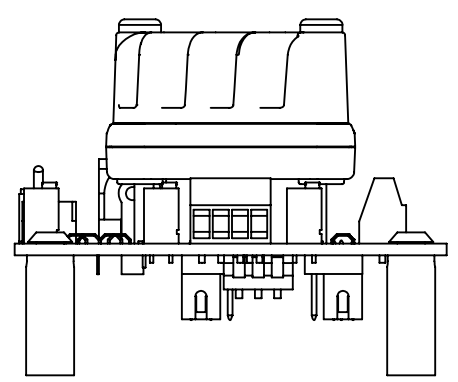
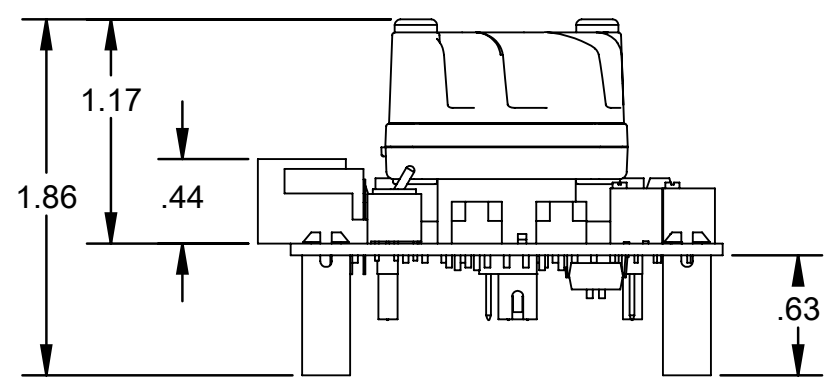
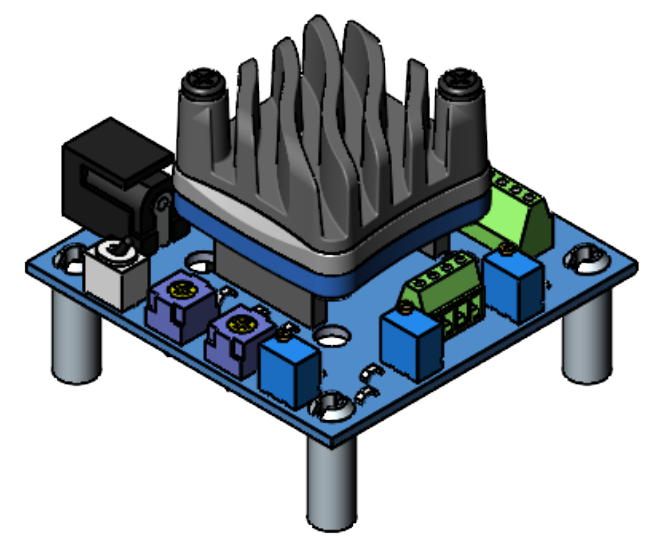
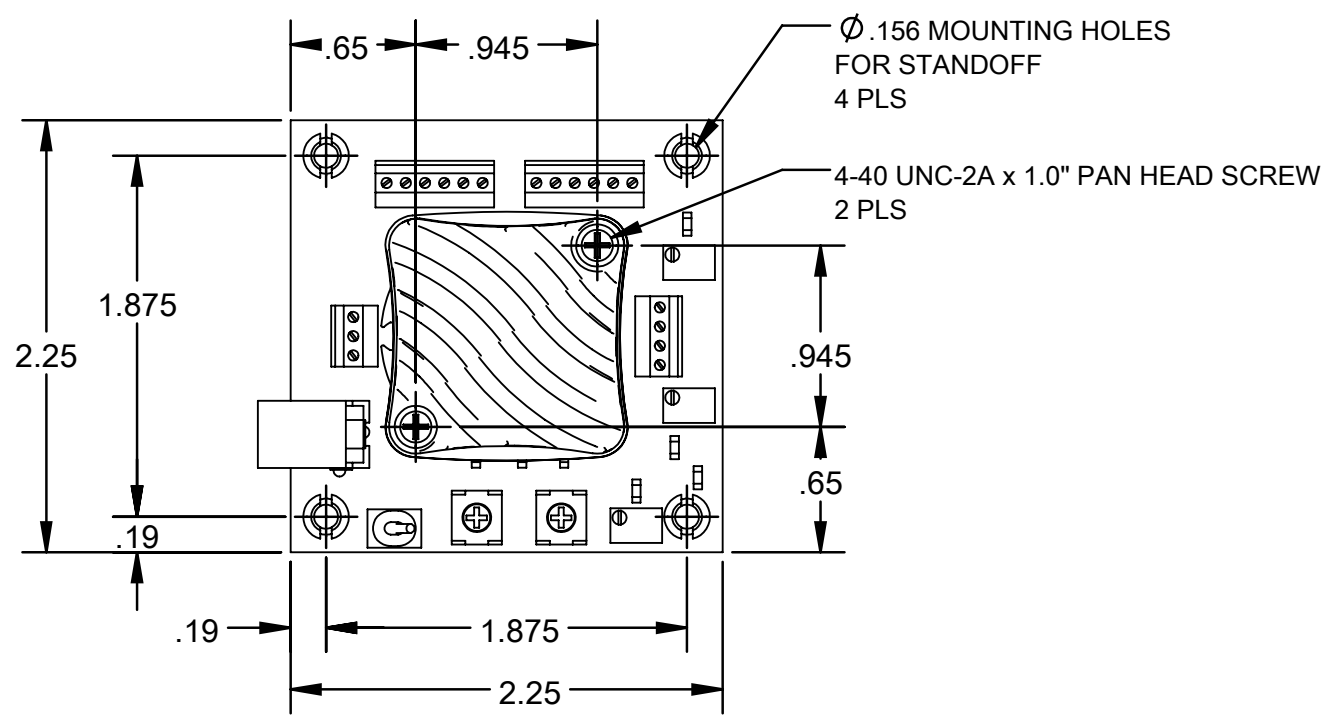


REVISIONS			
REV.	DESCRIPTION	DATE	APPROVED
A	RELEASE TO PRR	7-8-21	GSN

D
C
B
A



D
C
B
A

UNLESS OTHERWISE SPECIFIED DIMENSIONS ARE IN INCHES		THIS DRAWING AND INFORMATION CONTAINED THEREIN ARE THE PROPERTY OF WAVELENGTH ELECTRONICS, INC. (WEI). BY ACCEPTING THIS INFORMATION, THE BORROWER AGREES THAT IT WILL NOT BE USED FOR ANY PURPOSE OTHER THAN FOR WHICH IT WAS LOANED. IF THE BORROWER OF THIS DOCUMENT HAS NOT SIGNED A CONFIDENTIALITY AGREEMENT WITH WEI, THEN HE/SHE MUST REPORT THIS FACT TO WEI.	
TOLERANCES		APPROVALS	
1 PL DECIMALS $\pm .1$ 2 PL DECIMALS $\pm .01$ 3 PL DECIMALS $\pm .005$		SIGNATURES DATE	
ANGLES $\pm 1^\circ$ FRACTIONS $\pm 1/64$ TH		ORIGINATOR G. NIEBEL	7-8-21
THIRD ANGLE PROJECTION		ENGINEERING	
		CHECKED	
		APPROVED	
		APPROVED	
		Phone: (406) 587-4183 Fax: (406)-587-4911 51 Evergreen Dr. Suite B Bozeman, MT. 59715	
		TITLE: WTC3293 EVAL BOARD DIMENSIONS with CONTROLLER_HEATSINK	
		SIZE B	DWG (PRR) NO. : WTC3293
		SCALE: 1:1	MOD A
		SHEET 1 OF 1	