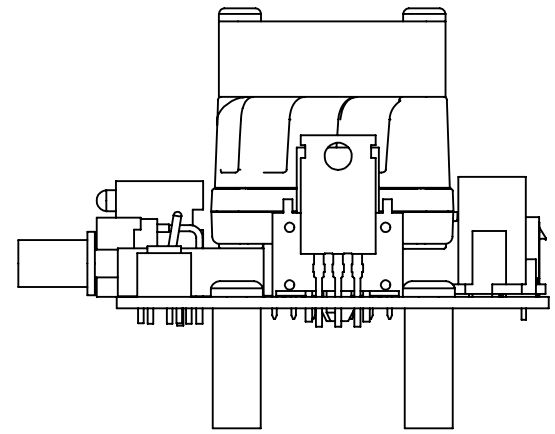
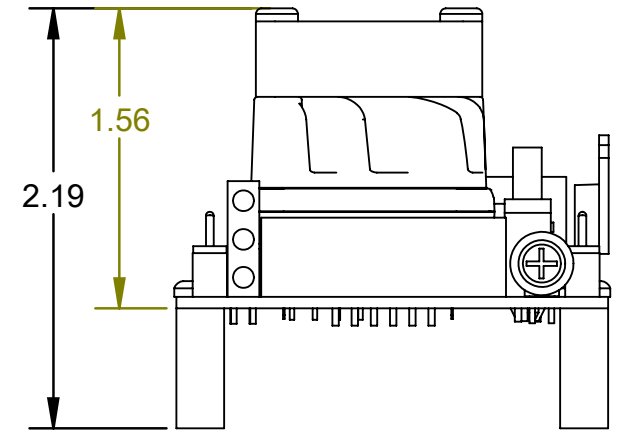
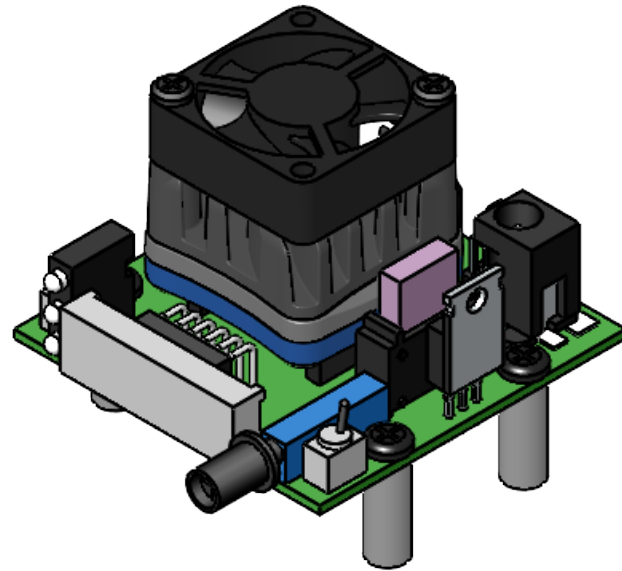
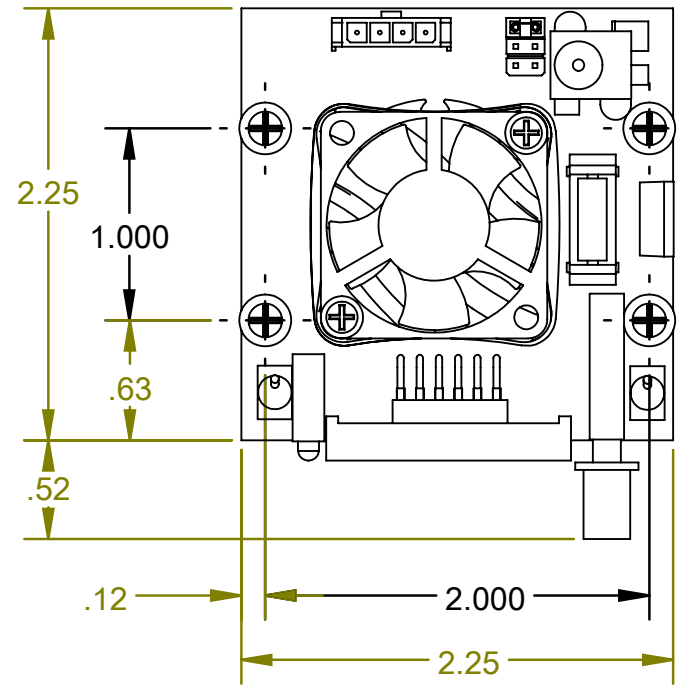


REVISIONS			
REV.	DESCRIPTION	DATE	APPROVED
A	RELEASE TO PRR	3-26-22	GSN

ITEM NO.	PART NUMBER	DESCRIPTION	QTY



UNLESS OTHERWISE SPECIFIED DIMENSIONS ARE IN INCHES

TOLERANCES	
1 PL DECIMALS	± .1
2 PL DECIMALS	± .01
3 PL DECIMALS	± .005
ANGLES	± 1°
FRACTIONS	± 1/64TH

THIRD ANGLE PROJECTION

THIS DRAWING AND INFORMATION CONTAINED THEREIN ARE THE PROPERTY OF WAVELENGTH ELECTRONICS, INC. (WEI). BY ACCEPTING THIS INFORMATION, THE BORROWER AGREES THAT IT WILL NOT BE USED FOR ANY PURPOSE OTHER THAN FOR WHICH IT WAS LOANED. IF THE BORROWER OF THIS DOCUMENT HAS NOT SIGNED A CONFIDENTIALITY AGREEMENT WITH WEI, THEN HE/SHE MUST REPORT THIS FACT TO WEI.

APPROVALS		DATE	 <b>WAVELENGTH ELECTRONICS</b> Phone: (406) 587-4183 Fax: (406)-587-4911 51 Evergreen Dr. Suite B Bozeman, MT. 59715
SIGNATURES			
ORIGINATOR	G. NIEBEL	3-26-22	TITLE: <b>WTC32ND-14 TEMPERATURE CONTROLLER</b>
ENGINEERING			
CHECKED			SIZE <b>B</b> DWG (PRR) NO. : <b>WTC32ND-14</b> REV <b>A</b>
APPROVED			
APPROVED			SCALE: 1:1 SHEET 1 OF 1

