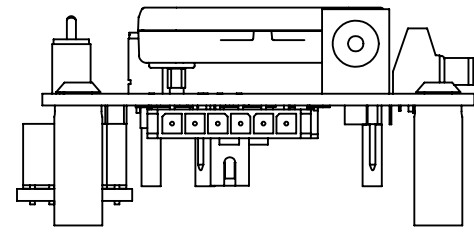
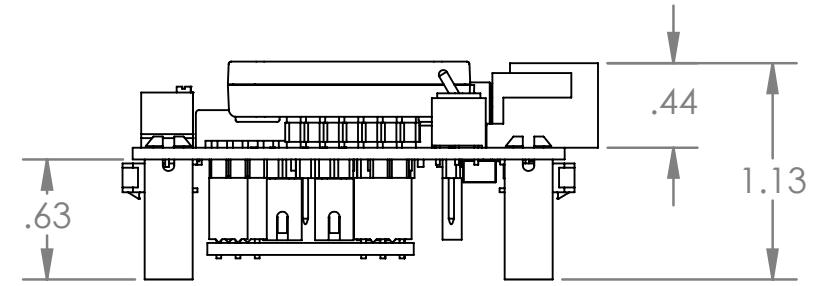
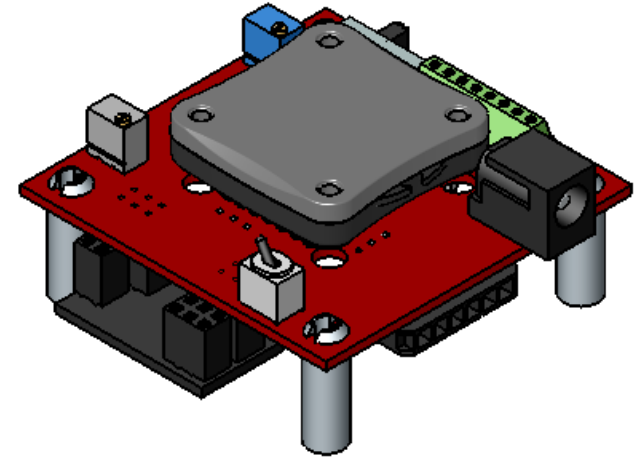
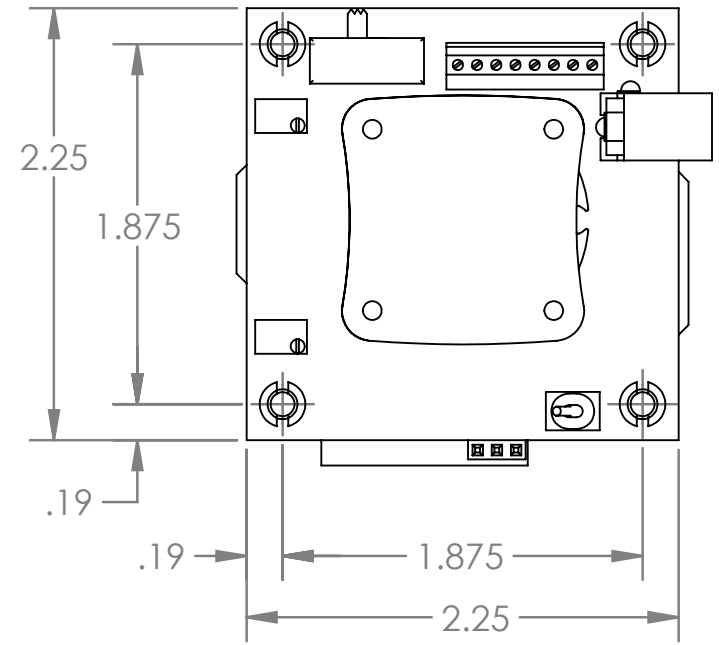




REVISIONS			
REV.	DESCRIPTION	DATE	APPROVED
A	INTRODUCE TO PRR	6-19-12	GSN



UNLESS OTHERWISE SPECIFIED DIMENSIONS ARE IN INCHES		THIS DRAWING AND INFORMATION CONTAINED THEREIN ARE THE PROPERTY OF WAVELENGTH ELECTRONICS, INC. (WEI). BY ACCEPTING THIS INFORMATION, THE BORROWER AGREES THAT IT WILL NOT BE USED FOR ANY PURPOSE OTHER THAN FOR WHICH IT WAS LOANED. IF THE BORROWER OF THIS DOCUMENT HAS NOT SIGNED A CONFIDENTIALITY AGREEMENT WITH WEI, THEN HE/SHE MUST REPORT THIS FACT TO WEI.													
TOLERANCES 1 PL DECIMALS ± .1 2 PL DECIMALS ± .01 3 PL DECIMALS ± .005 ANGLES ± 1° FRACTIONS ± 1/64TH		APPROVALS <table border="1"> <thead> <tr> <th>SIGNATURES</th> <th>DATE</th> </tr> </thead> <tbody> <tr> <td>ORIGINATOR G. NIEBEL</td> <td>3-25-13</td> </tr> <tr> <td>ENGINEERING</td> <td></td> </tr> <tr> <td>CHECKED</td> <td></td> </tr> <tr> <td>APPROVED</td> <td></td> </tr> <tr> <td>APPROVED</td> <td></td> </tr> </tbody> </table>		SIGNATURES	DATE	ORIGINATOR G. NIEBEL	3-25-13	ENGINEERING		CHECKED		APPROVED		APPROVED	
SIGNATURES	DATE														
ORIGINATOR G. NIEBEL	3-25-13														
ENGINEERING															
CHECKED															
APPROVED															
APPROVED															
THIRD ANGLE PROJECTION															
		WAVELENGTH ELECTRONICS Phone: (406) 587-4183 Fax: (406)-587-4911 51 Evergreen Dr. Suite B Bozeman, MT. 59715													
TITLE: WLD3393 Eval Brd w_Module		SCALE: 1:1													
SIZE B DWG (PRR) NO. :		REV A SHEET 1 OF 1													