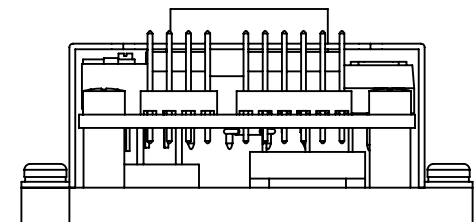
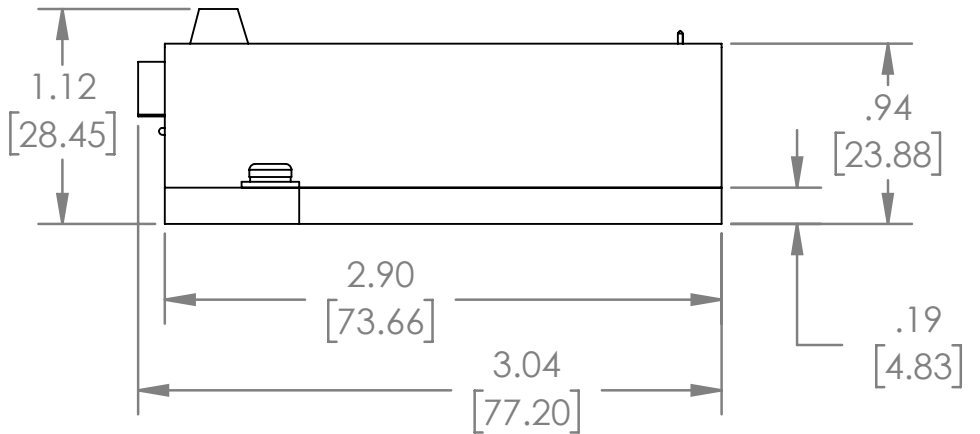
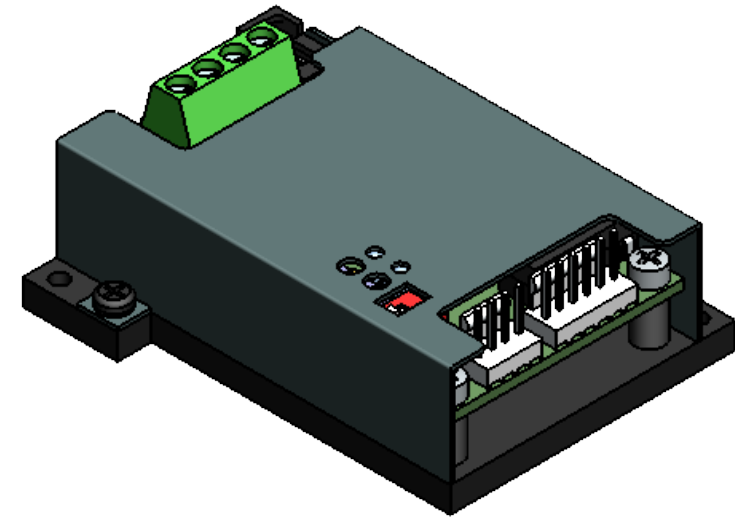
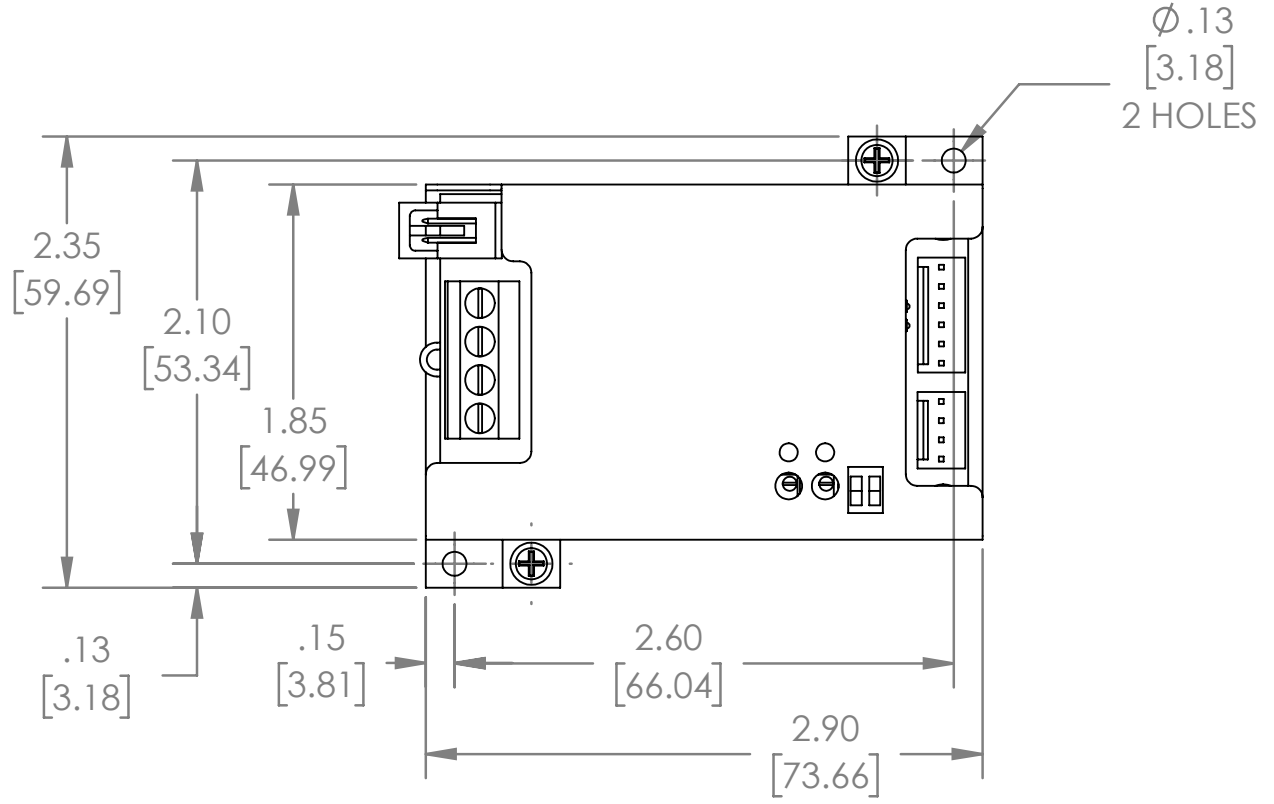




REVISIONS			
REV.	DESCRIPTION	DATE	APPROVED



UNLESS OTHERWISE SPECIFIED DIMENSIONS ARE IN INCHES		THIS DRAWING AND INFORMATION CONTAINED THEREIN ARE THE PROPERTY OF WAVELENGTH ELECTRONICS, INC. (WEI). BY ACCEPTING THIS INFORMATION, THE BORROWER AGREES THAT IT WILL NOT BE USED FOR ANY PURPOSE OTHER THAN FOR WHICH IT WAS LOANED. IF THE BORROWER OF THIS DOCUMENT HAS NOT SIGNED A CONFIDENTIALITY AGREEMENT WITH WEI, THEN HE/SHE MUST REPORT THIS FACT TO WEI.		 <b>WAVELENGTH ELECTRONICS™</b> Phone: (406) 587-4183 Fax: (406)-587-4911 51 Evergreen Dr. Suite B Bozeman, MT. 59715	
<b>TOLERANCES</b> 1 PL DECIMALS ± .1 2 PL DECIMALS ± .01 3 PL DECIMALS ± .005  ANGLES ± 1° FRACTIONS ± 1/64TH		<b>APPROVALS</b> SIGNATURES      DATE ORIGINATOR <b>G. NIEBEL</b> 4-5-16 ENGINEERING CHECKED APPROVED APPROVED		TITLE: <h2 style="text-align: center;">PLD CH SERIES</h2>	
<b>THIRD ANGLE PROJECTION</b> 		SIZE      DWG (PRR) NO. : <b>B</b>		REV <b>A</b>	
		SCALE: 1:1		SHEET 1 OF 1	

