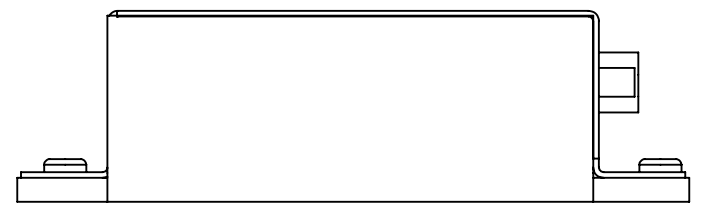
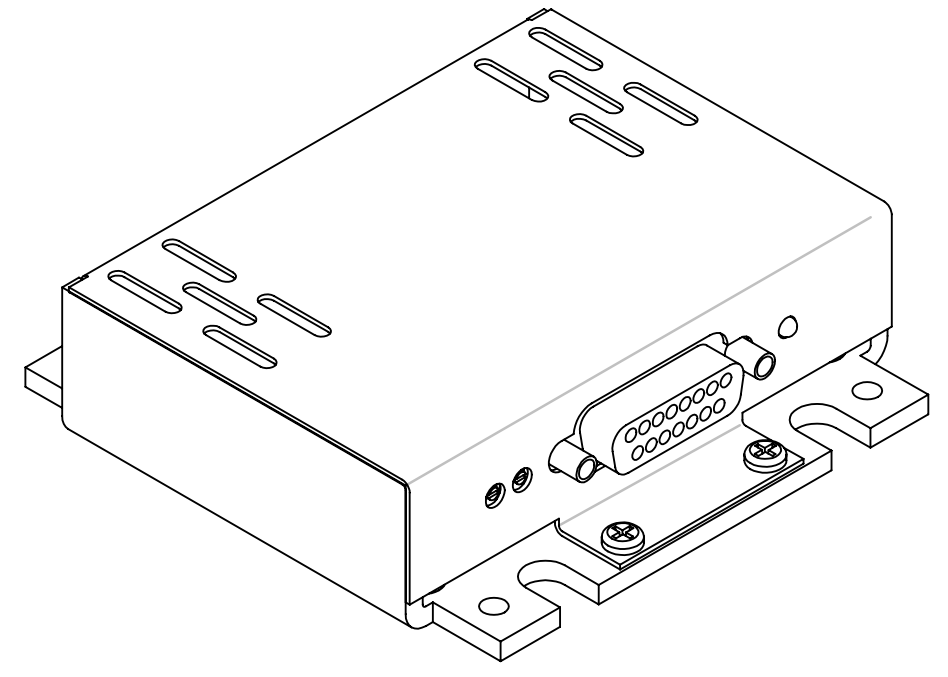
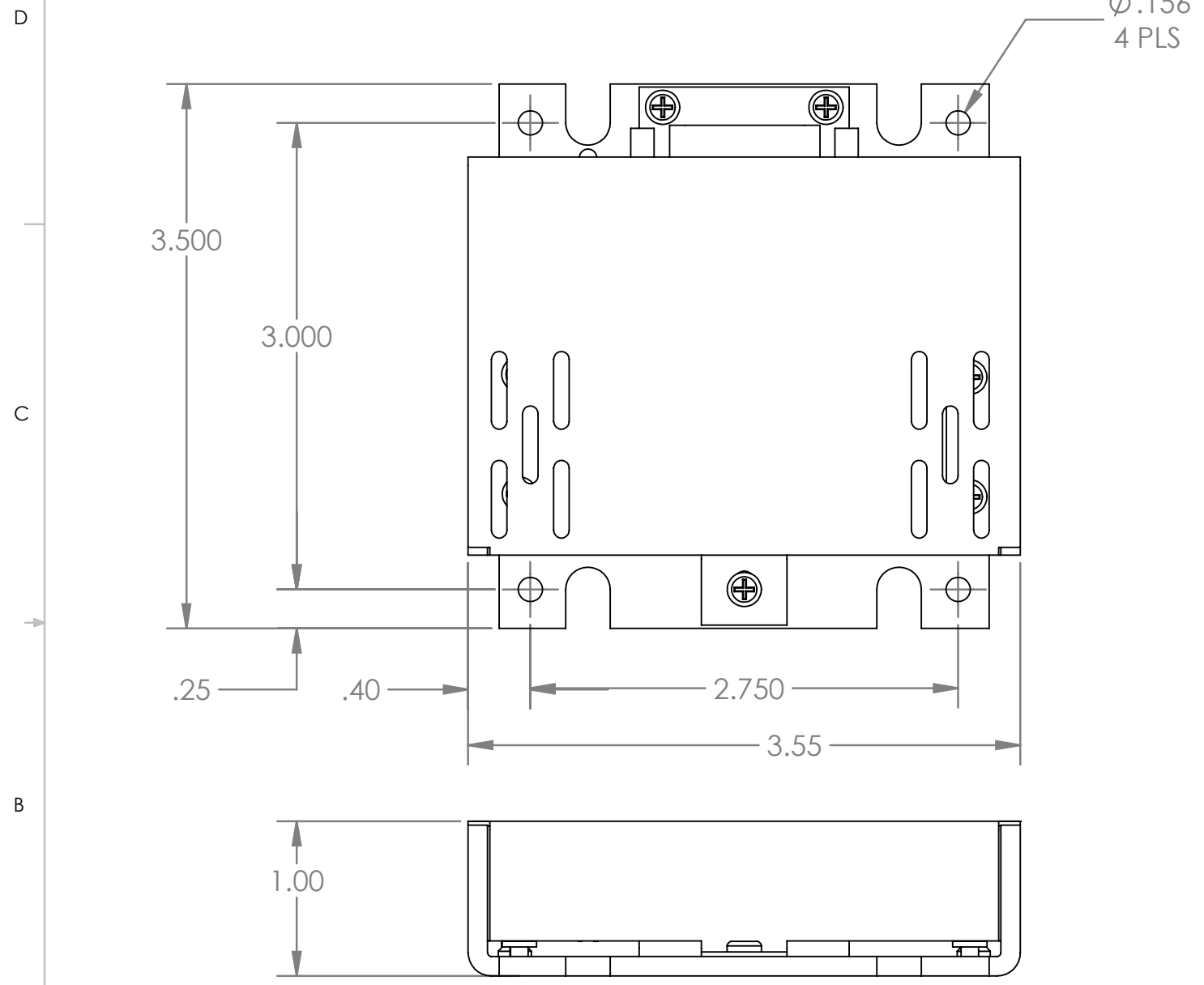


8 7 6 5 4 3 2 1

| REVISIONS |             |      |          |
|-----------|-------------|------|----------|
| REV.      | DESCRIPTION | DATE | APPROVED |
|           |             |      |          |
|           |             |      |          |



B B

A A

| UNLESS OTHERWISE SPECIFIED DIMENSIONS ARE IN INCHES   |           | THIS DRAWING AND INFORMATION CONTAINED THEREIN ARE THE PROPERTY OF WAVELENGTH ELECTRONICS, INC. (WEI). BY ACCEPTING THIS INFORMATION, THE BORROWER AGREES THAT IT WILL NOT BE USED FOR ANY PURPOSE OTHER THAN FOR WHICH IT WAS LOANED. IF THE BORROWER OF THIS DOCUMENT HAS NOT SIGNED A CONFIDENTIALITY AGREEMENT WITH WEI, THEN HE/SHE MUST REPORT THIS FACT TO WEI.   |              |            |  |      |            |           |          |             |  |  |         |  |  |          |  |  |          |  |  |
|---|-----------|--|--------------|------------|--|------|------------|-----------|----------|-------------|--|--|---------|--|--|----------|--|--|----------|--|--|
| <b>TOLERANCES</b><br>1 PL DECIMALS $\pm .1$<br>2 PL DECIMALS $\pm .01$<br>3 PL DECIMALS $\pm .005$<br><br>ANGLES $\pm 1^\circ$<br>FRACTIONS $\pm 1/64\text{TH}$ |           | <b>APPROVALS</b><br><table border="1"> <thead> <tr> <th colspan="2">SIGNATURES</th> <th>DATE</th> </tr> </thead> <tbody> <tr> <td>ORIGINATOR</td> <td>G. NIEBEL</td> <td>12-22-08</td> </tr> <tr> <td>ENGINEERING</td> <td></td> <td></td> </tr> <tr> <td>CHECKED</td> <td></td> <td></td> </tr> <tr> <td>APPROVED</td> <td></td> <td></td> </tr> <tr> <td>APPROVED</td> <td></td> <td></td> </tr> </tbody> </table> |              | SIGNATURES |  | DATE | ORIGINATOR | G. NIEBEL | 12-22-08 | ENGINEERING |  |  | CHECKED |  |  | APPROVED |  |  | APPROVED |  |  |
| SIGNATURES  |           | DATE   |              |            |  |      |            |           |          |             |  |  |         |  |  |          |  |  |          |  |  |
| ORIGINATOR  | G. NIEBEL | 12-22-08   |              |            |  |      |            |           |          |             |  |  |         |  |  |          |  |  |          |  |  |
| ENGINEERING   |           |  |              |            |  |      |            |           |          |             |  |  |         |  |  |          |  |  |          |  |  |
| CHECKED   |           |  |              |            |  |      |            |           |          |             |  |  |         |  |  |          |  |  |          |  |  |
| APPROVED  |           |  |              |            |  |      |            |           |          |             |  |  |         |  |  |          |  |  |          |  |  |
| APPROVED  |           |  |              |            |  |      |            |           |          |             |  |  |         |  |  |          |  |  |          |  |  |
| <b>THIRD ANGLE PROJECTION</b><br>   |           | <b>WAVELENGTH ELECTRONICS</b><br>Phone: (406) 587-4183<br>Fax: (406)-587-4911<br>51 Evergreen Dr. Suite B<br>Bozeman, MT. 59715  |              |            |  |      |            |           |          |             |  |  |         |  |  |          |  |  |          |  |  |
|   |           | TITLE: <b>MPT 2500 PACKAGE DIMENSIONS</b>  |              |            |  |      |            |           |          |             |  |  |         |  |  |          |  |  |          |  |  |
|   |           | SIZE <b>B</b> DWG (PRR) NO. :  | REV <b>A</b> |            |  |      |            |           |          |             |  |  |         |  |  |          |  |  |          |  |  |
|   |           | SCALE: 1:1   | SHEET 1 OF 1 |            |  |      |            |           |          |             |  |  |         |  |  |          |  |  |          |  |  |



8 7 6 5 4 3 2 1