



WXC303 and WXC304

Fan Accessories

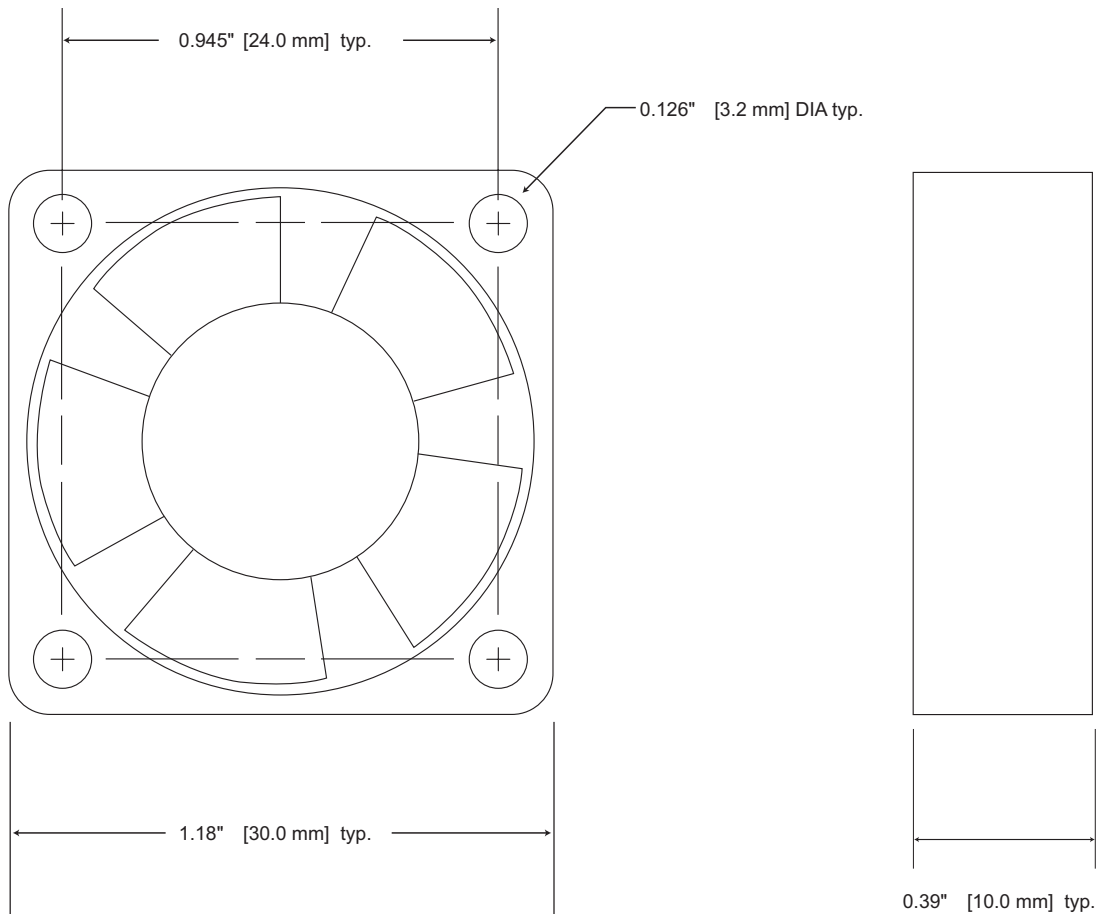


GENERAL DESCRIPTION:

The WXC303 (+5V) and WXC304 (+12V) fan accessories mount directly to the WHS302 Heatsink using two, 1" 4-40 screws. Each fan is 30x30x10mm and produces 3.5 CFM of air flow.



Figure 1
Mechanical Specifications

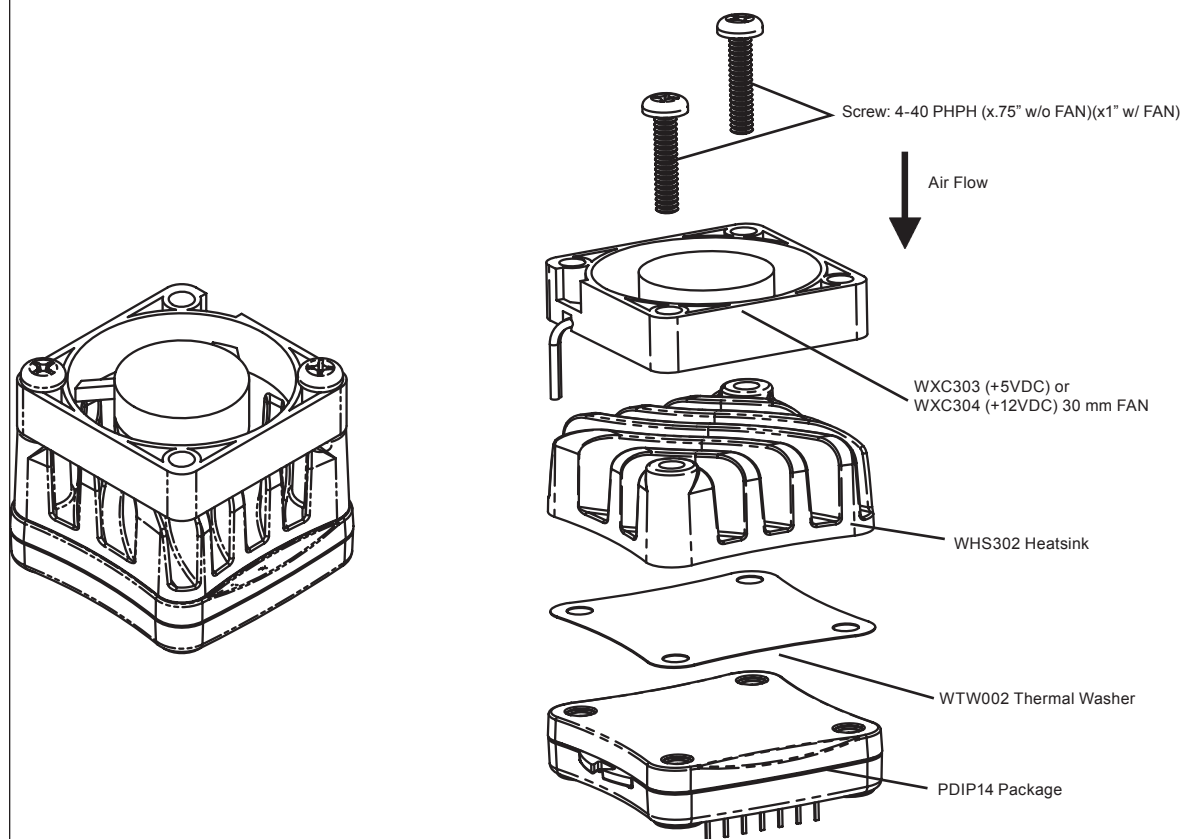


COMPOSITE ASSEMBLY

Instruction Steps

1. Clean All Surfaces where the WTW002 Thermal Washer will contact.
2. Apply the WTW002 Thermal Washer (adhesive side) to the WHS302 Heat Sink surface, aligning the thermal washer holes with the heatsink holes.
3. Secure the WHS302 Heatsink and the WXC303 or the WXC304 Fan (if fan is used) to PDIP14 Package with two screws.

WXC303 or WXC304 Assembled with WHS302 Heatsink and PDIP14 Package



CERTIFICATION:

Wavelength Electronics, Inc. (Wavelength) certifies that this product met it's published specifications at the time of shipment. Wavelength further certifies that its calibration measurements are traceable to the United States National Institute of Standards and Technology, to the extent allowed by that organization's calibration facilities, and to the calibration facilities of other International Standards Organization members.

WARRANTY:

This Wavelength product is warranted against defects in materials and workmanship for a period of 90 days from date of shipment. During the warranty period, Wavelength will, at its option, either repair or replace products which prove to be defective.

WARRANTY SERVICE:

For warranty service or repair, this product must be returned to the factory. An RMA is required for products returned to Wavelength for warranty service. The Buyer shall prepay shipping charges to Wavelength and Wavelength shall pay shipping charges to return the product to the Buyer upon determination of defective materials or workmanship. However, the Buyer shall pay all shipping charges, duties, and taxes for products returned to Wavelength from another country.

LIMITATIONS OF WARRANTY:

The warranty shall not apply to defects resulting from improper use or misuse of the product or operation outside published specifications.

No other warranty is expressed or implied. Wavelength specifically disclaims the implied warranties of merchantability and fitness for a particular purpose.

EXCLUSIVE REMEDIES:

The remedies provided herein are the Buyer's sole and exclusive remedies. Wavelength shall not be liable for any direct, indirect, special, incidental, or consequential damages, whether based on contract, tort, or any other legal theory.

NOTICE:

The information contained in this document is subject to change without notice. Wavelength will not be liable for errors contained herein or for incidental or consequential damages in connection with the furnishing, performance, or use of this material. No part of this document may be photocopied, reproduced, or translated to another language without the prior written consent of Wavelength.

SAFETY:

There are no user serviceable parts inside this product. Return the product to Wavelength for service and repair to ensure that safety features are maintained.

LIFE SUPPORT POLICY:

As a general policy, Wavelength Electronics, Inc. does not recommend the use of any of its products in life support applications where the failure or malfunction of the Wavelength product can be reasonably expected to cause failure of the life support device or to significantly affect its safety or effectiveness. Wavelength will not knowingly sell its products for use in such applications unless it receives written assurances satisfactory to Wavelength that the risks of injury or damage have been minimized, the customer assumes all such risks, and there is no product liability for Wavelength. Examples of devices considered to be life support devices are neonatal oxygen analyzers, nerve stimulators (for any use), auto transfusion devices, blood pumps, defibrillators, arrhythmia detectors and alarms, pacemakers, hemodialysis systems, peritoneal dialysis systems, ventilators of all types, and infusion pumps as well as other devices designated as "critical" by the FDA. The above are representative examples only and are not intended to be conclusive or exclusive of any other life support device.

REVISION HISTORY		
REVISION	DATE	NOTES
REV. A	2001	Initial release
REV. B	31-Aug-09	Updated links to support new website



WAVELENGTH ELECTRONICS, INC.

51 Evergreen Drive
Bozeman, Montana, 59715

web: www.teamwavelength.com

phone: (406) 587-4910 Sales/Tech Support

fax: (406) 587-4911

e-mail: sales@teamwavelength.com