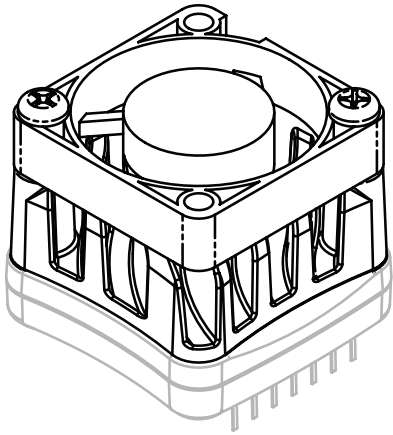


DATASHEET AND OPERATING GUIDE

WEV3xx Series

Thermal Solution Accessory Kits



FEATURES AND BENEFITS

- Extends the Safe Operating Area of the WLD, WTC, WTCP, and WHY to the full-rated output current
- Allows the WLD, WTC, and WHY to operate at higher ambient temperatures
- Two fan voltage options: 5 V and 12 V

USED WITH

- WHY5640 Temperature Controller & WHY5690 Evaluation Board
- WLD3343 Series Laser Diode Drivers & WLD3393 Evaluation Board
- WTC3243 Series Temperature Controllers & WTC3293 Evaluation Board
- WTCP5V5A Temperature Controller & WTCPEVAL Evaluation Board

OPERATING RANGE EXTENDER

The WEV Thermal Solution Kits allow the WLD Series Laser Diode Drivers, and the WHY/WTC/WTCP Series Temperature Controllers to operate at higher output powers, and across a wider ambient temperature range.


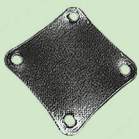
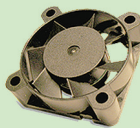
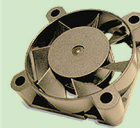

Review the Safe Operating Area calculator for your device to determine which WEV kit is appropriate for your application.

COMPACT, VERSATILE, AND EASY TO USE

Assembly is fast and easy with the included mounting screws. No additional board space is required to use the WEV kit.

Fan voltage requirements are 5 V or 12 V, depending on the kit selected.

Table 1. WEV3xx Ordering Options and Kit Components

KIT MODEL NUMBER	WHS302  Heatsink	WTW002  Thermal Washer	WXC303  5 V Fan	WXC304  12 V Fan	WXC305  Mounting Screws
WEV300	•	•			•
WEV301	•	•	•		•
WEV302	•	•		•	•



SAFE OPERATING AREA



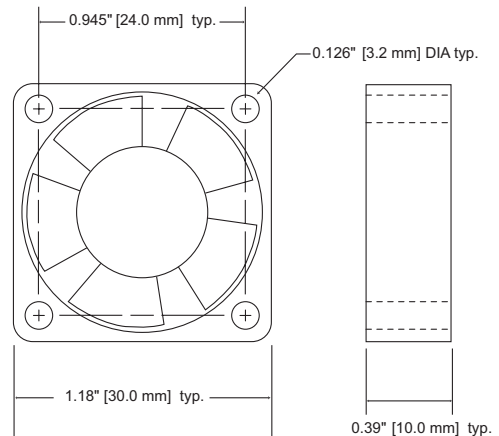
TO DETERMINE IF THE FAN AND/OR HEATSINK IS REQUIRED IN YOUR APPLICATION, IT IS IMPERATIVE THAT YOU VERIFY THE UNIT WILL BE OPERATING WITHIN THE INTERNAL HEAT DISSIPATION SAFE OPERATING AREA (SOA).

Visit the Wavelength Electronics website for the most accurate, up-to-date, and easy to use SOA calculator.

The SOA calculator for Laser Diode Drivers is at this page: <http://www.teamwavelength.com/support/calculator/soa/soald.php>

The SOA calculator for Temperature Controllers: <http://www.teamwavelength.com/support/calculator/soa/soatc.php>

Mechanical specifications for the fan and heatsink are shown in **Figure 2** and **Figure 3**.



Dimensions in inches [mm].
All dimensions $\pm 5\%$ tolerance.
Appearance of actual fan may vary slightly.
Refer to WXC303/304 datasheet for additional specifications.

Figure 2. WXC303-304 Fan Dimensions

ASSEMBLY INSTRUCTIONS

Refer to **Figure 1**.

- Clean all mating surfaces on the electronics module and heatsink. It is important to remove particulates and foreign materials from the mating faces.
- Apply the WTW002 Thermal Washer to the WHS302 Heatsink surface, aligning the thermal washer holes with the heatsink holes.
- Secure the WHS302 Heatsink and the WXC303/304 Fan (if used) to driver/controller with two screws.

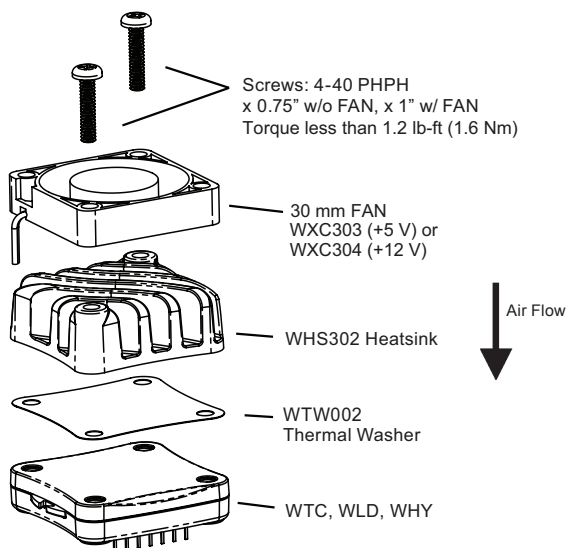
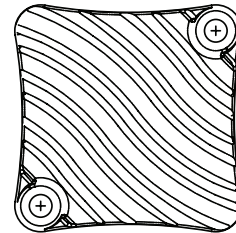
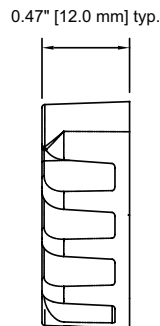


Figure 1. Exploded View of WEV Kit Assembly

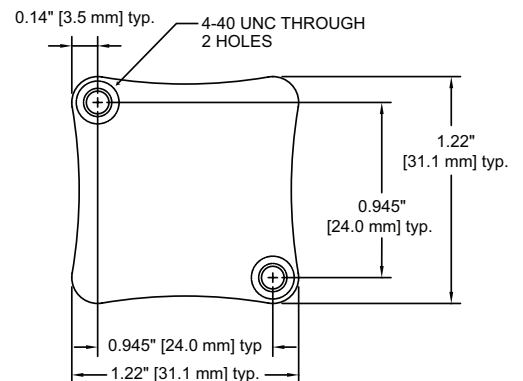
TOP VIEW



SIDE VIEW



BOTTOM VIEW



Dimensions in inches [mm]
All dimensions $\pm 5\%$ tolerance.

Figure 3. WHS302 Heatsink Dimensions

CERTIFICATION AND WARRANTY

CERTIFICATION

Wavelength Electronics, Inc. (Wavelength) certifies that this product met its published specifications at the time of shipment. Wavelength further certifies that its calibration measurements are traceable to the United States National Institute of Standards and Technology, to the extent allowed by that organization's calibration facilities, and to the calibration facilities of other International Standards Organization members.

WARRANTY

This Wavelength product is warranted against defects in materials and workmanship for a period of one (1) year from date of shipment. During the warranty period, Wavelength will, at its option, either repair or replace products which prove to be defective.

WARRANTY SERVICE

For warranty service or repair, this product must be returned to the factory. An RMA is required for products returned to Wavelength for warranty service. The Buyer shall prepay shipping charges to Wavelength and Wavelength shall pay shipping charges to return the product to the Buyer upon determination of defective materials or workmanship. However, the Buyer shall pay all shipping charges, duties, and taxes for products returned to Wavelength from another country.

LIMITATIONS OF WARRANTY

The warranty shall not apply to defects resulting from improper use or misuse of the product or operation outside published specifications. No other warranty is expressed or implied. Wavelength specifically disclaims the implied warranties of merchantability and fitness for a particular purpose.

EXCLUSIVE REMEDIES

The remedies provided herein are the Buyer's sole and exclusive remedies. Wavelength shall not be liable for any direct, indirect, special, incidental, or consequential damages, whether based on contract, tort, or any other legal theory.

REVERSE ENGINEERING PROHIBITED

Buyer, End-User, or Third-Party Reseller are expressly prohibited from reverse engineering, decompiling, or disassembling this product.

NOTICE

The information contained in this document is subject to change without notice. Wavelength will not be liable for errors contained herein or for incidental or consequential damages in connection with the furnishing, performance, or use of this material. No part of this document may be translated to another language without the prior written consent of Wavelength.

SAFETY

There are no other user-serviceable parts inside this product. Return the product to Wavelength for service and repair to ensure that safety features are maintained.

LIFE SUPPORT POLICY

This important safety information applies to all Wavelength electrical and electronic products and accessories:

As a general policy, Wavelength Electronics, Inc. does not recommend the use of any of its products in life support applications where the failure or malfunction of the Wavelength product can be reasonably expected to cause failure of the life support device or to significantly affect its safety or effectiveness. Wavelength will not knowingly sell its products for use in such applications unless it receives written assurances satisfactory to Wavelength that the risks of injury or damage have been minimized, the customer assumes all such risks, and there is no product liability for Wavelength. Examples of devices considered to be life support devices are neonatal oxygen analyzers, nerve stimulators (for any use), auto-transfusion devices, blood pumps, defibrillators, arrhythmia detectors and alarms, pacemakers, hemodialysis systems, peritoneal dialysis systems, ventilators of all types, and infusion pumps as well as other devices designated as "critical" by the FDA. The above are representative examples only and are not intended to be conclusive or exclusive of any other life support device.

REVISION HISTORY

DOCUMENT NUMBER WEV300-00400

REV.	DATE	CHANGE
C	July 2012	Release in new format
D	October 2013	Extended warranty



51 Evergreen Drive
Bozeman, Montana 59715

406-587-4910 (tel)
406-587-4911 (fax)

Sales & Tech Support
sales@teamwavelength.com
techsupport@teamwavelength.com

